

Woodlore® Shutters

<u>Table of Contents</u>	<u>Page</u>
a. Features & Benefits	WL a-1
b. Colors & Louvers	WL b-1
c. Stiles	WL c-1
d. Panel Configurations	WL d-1
e. Frame Styles	WL e-1
f. General Product Specifications	WL f-1
g. Tilt Rods	WL g-1
h. Divider Rails	WL h-1
i. Hardware	WL i-1
j. Track Shutters	WL j-1
k. Special Options	WL k-1
l. Specialty Shapes	WL l-1
m. Pricing	WL m-1
n. Appendix	WL n-1

Disclaimer: Norman International, Co. reserves all rights on updating or modification of any contents within this documentation without prior notification.

Woodlore® Shutters

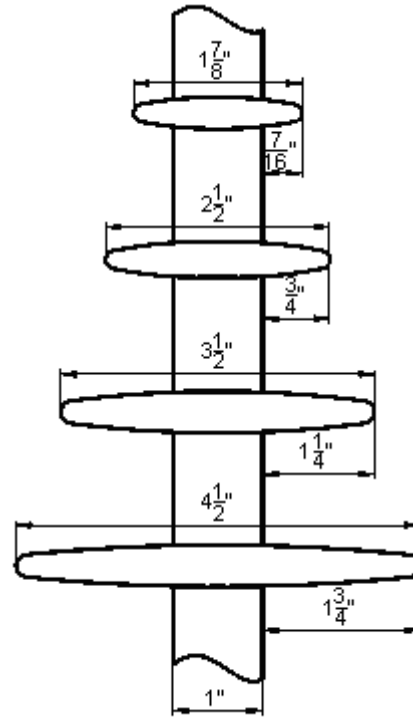
Features and Benefits

- Built around the concept of modern convenience, Woodlore is made of composite wood harvested from well-managed forests and finished with a polypropylene coating that prevents moisture absorption and allows for easy stain removal. It **resists cupping, warping and twisting**.
- **Reinforced engineered stiles** – Stile core durability reinforced with multiple layers of wood bonded together. The result is a robust support system for shutter panels.
- **UV inhibitor** protects shutters and home décor from UV rays, prevents color fading and sun damage.
- Woodlore's **classic painted colors** harmonize brilliantly with any décor. **The beauty, durability and quality finish** of Woodlore shutters **is reasonably priced**.
- Multiple stile options are available in various sizes to accommodate different window configurations. **Astragal** or **Rabbit stiles** provide a natural light block between panels.
- A wide range of **frames with inserts**, which keep installation screws out of sight for a clean and decorative look, match any style and preference.
- Personalize shutters with **special options**. Choose from fixed louvers, hidden or offset tilt rods, café styles, bay and corner window shutters, track systems and many more.
- Quick and easy on-site assembly and installation with the **pre-installed magnets and hinges, pre-mitered frames** and **slotted keyholes**.
- A guarantee of Norman Shutters exemplary quality with a **lifetime limited warranty on materials and workmanship**.

Woodlore® Shutters

Colors & Louvers

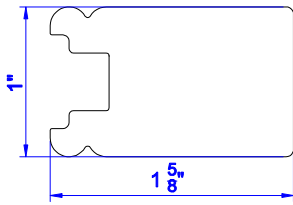
Solid Colors	
001 Pure White 003 Silk White 004 Bright White 006 Pearl 009 Creamy	
Louvers	
Elliptical	1 ⁷ / ₈ "* 2 ¹ / ₂ " 3 ¹ / ₂ " 4 ¹ / ₂ "



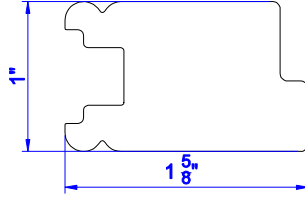
* Surcharge applies. Please see Options and Surcharges page for details.

Woodlore® Shutters

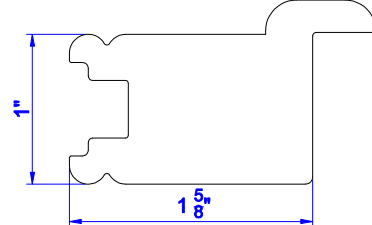
Stiles Options



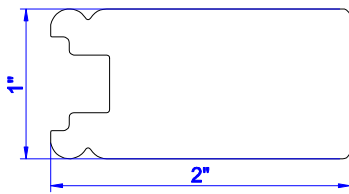
1 5/8" Butt Stile



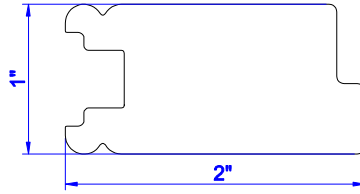
1 5/8" Rabbet Stile



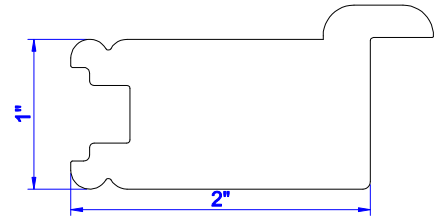
1 5/8" Astragal Stile



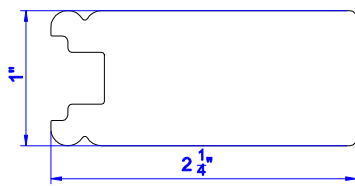
2" Butt Stile



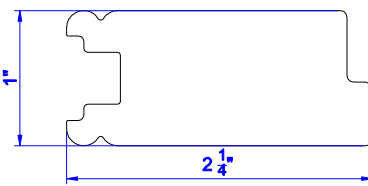
2" Rabbet Stile



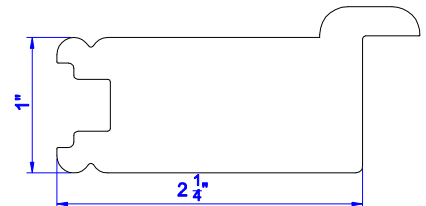
2" Astragal Stile



2 1/4" Butt Stile



2 1/4" Rabbet Stile



2 1/4" Astragal Stile

Woodlore® Shutters

Stiles (continued)

Stile between panel closure

Single panel

- I) Panel width < 9"
- Rabbeted stile (Deco frame, L frame, Z frame and Hang strip beside panel)
 - 1 ⁵/₈"
 - 2" (default)
 - Butt stile only (Hang strip behind panel)
 - 1 ⁵/₈" (Optional for panel width ≤ 12")
 - 2" (default)



- II) Panel width ≥ 9"
Butt stile only
- 1 ⁵/₈" (Optional for panel width ≤ 12")
 - 2" (default)



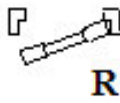
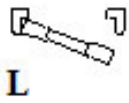
2 panels or more

- Rabbet stile
 - 1 ⁵/₈" (Optional for panel width ≤ 12")
 - 2" (default)
- Astragal stile
 - 1 ⁵/₈"
 - 2"

Woodlore® Shutters

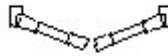
Panel Configurations

Single Panel

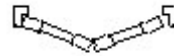


OR

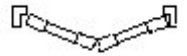
Two Panels



LR

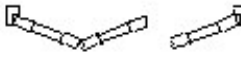


LL

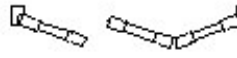


RR

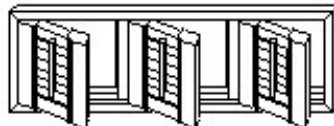
Three Panels



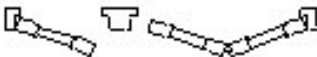
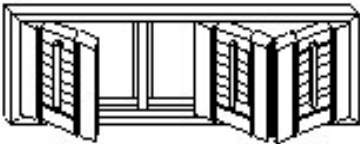
LLR



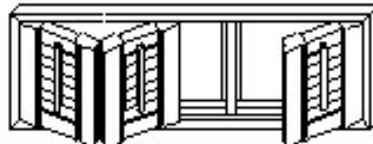
LRR



LTLTL



LTRR

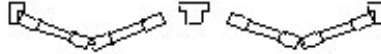
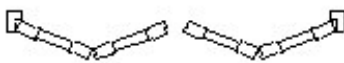
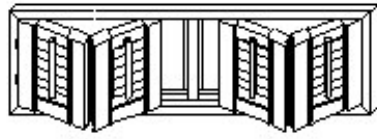


LLTR

Woodlore® Shutters

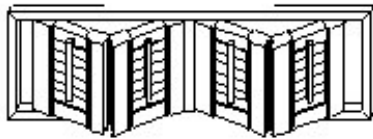
Panel Configurations (continued)

Four Panels



LLRR

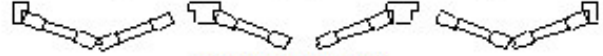
LLTRR



RRILL

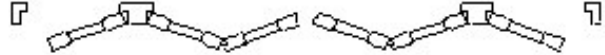
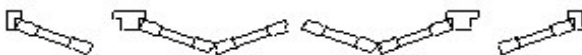
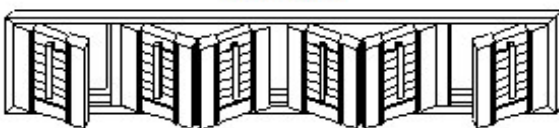
LTLRTR

Six Panels



LRTLRTL

LLTLRTRR



LTLRRTTR

RTLLRRTL

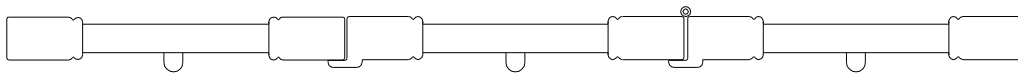
Woodlore® Shutters

Panel Configurations – Astragal Stile

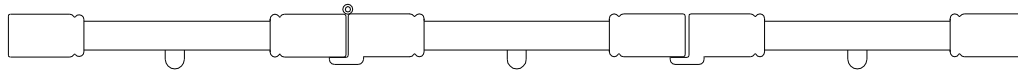
- 2 Panels – LR



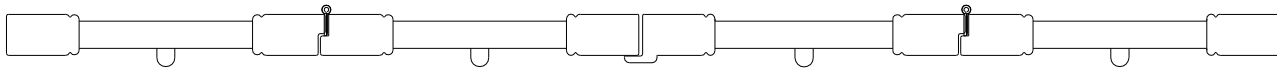
- 3 Panels - LRR



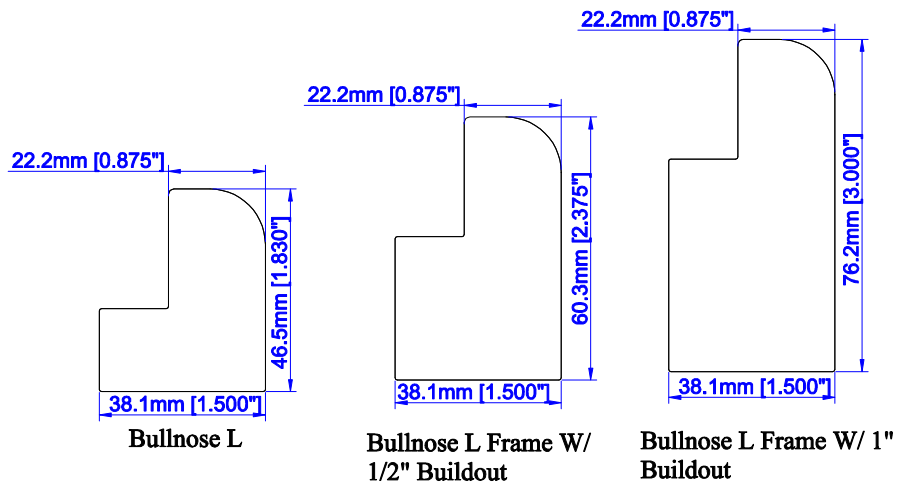
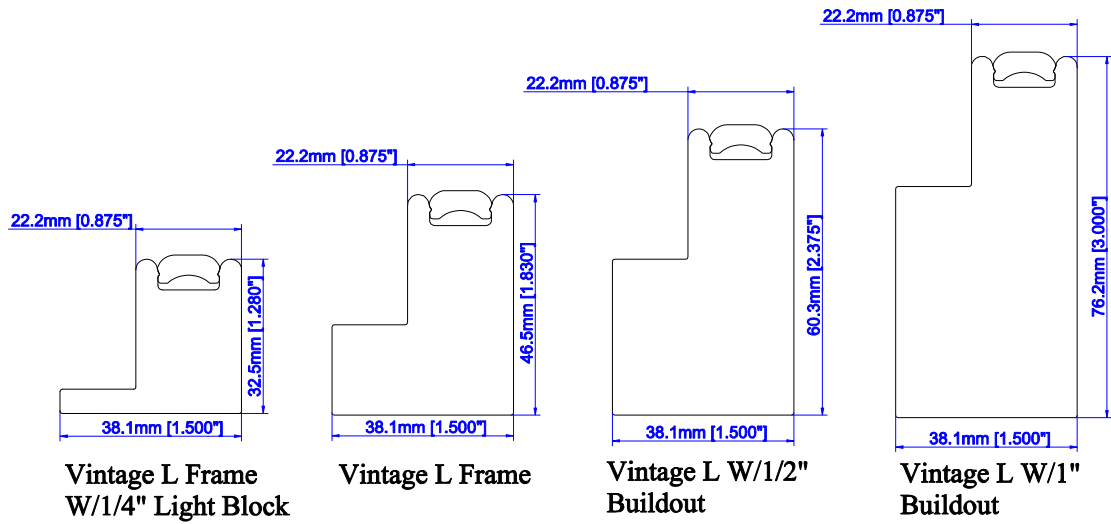
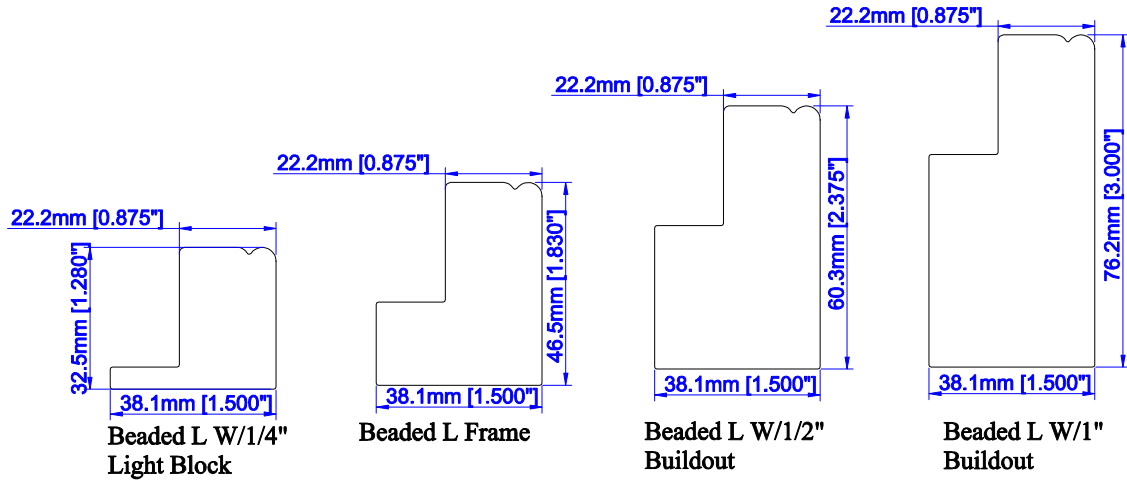
- 3 Panels – LLR



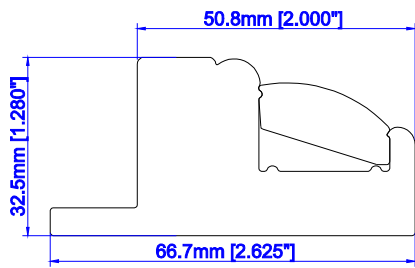
- 4 Panels - LLRR



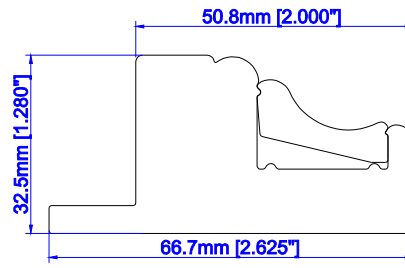
Frame Styles



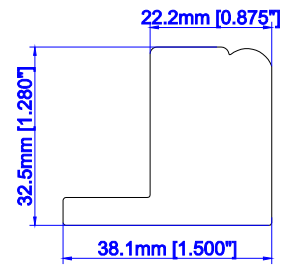
Frame Styles



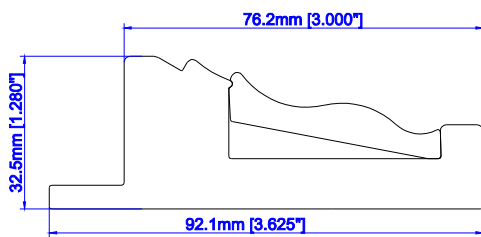
2" Camber Deco Frame



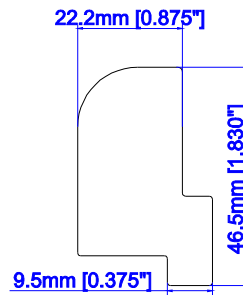
2" Classic Deco Frame



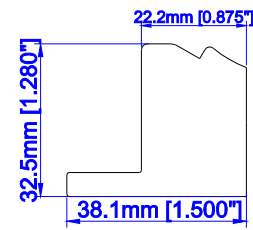
2" Deco Sill Plate



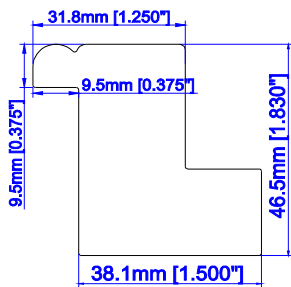
3" Ridge Deco Frame



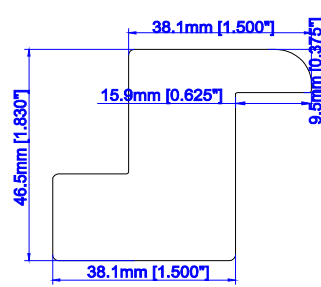
Tilt Out Z Frame



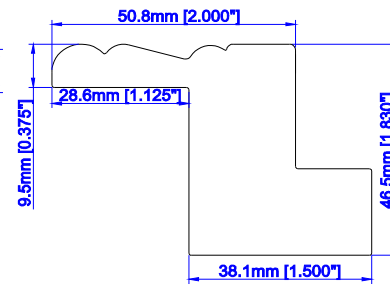
Ridge Deco Sill Plate



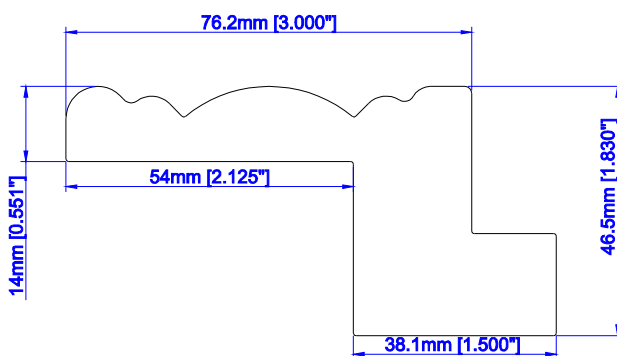
1 1/4" Beaded Z Frame



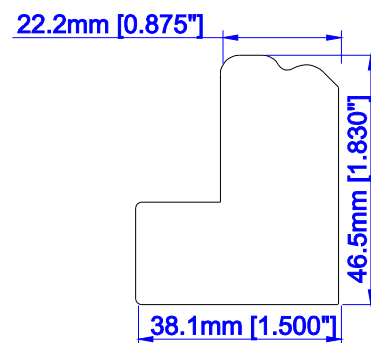
1 1/2" Bullnose Z Frame



2" Bel Air Z Frame

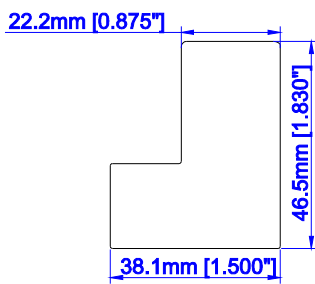


3" Crown Z Frame

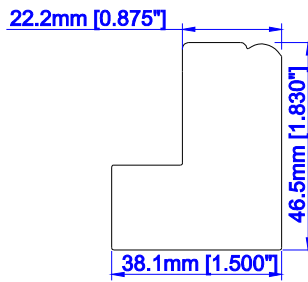


3" Crown Z Sill Plate

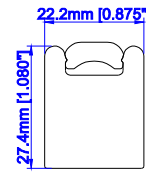
Frame Styles



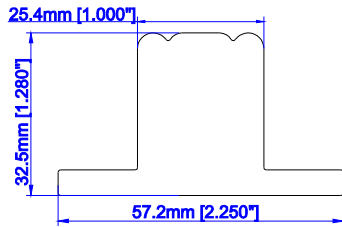
1 1/2" Bullnose Z
1 1/4" Beaded Z
Sill Plate



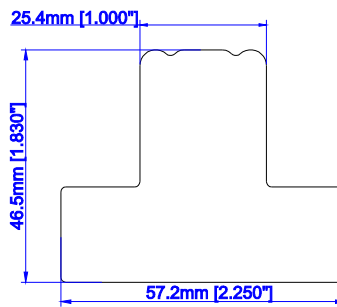
2" Bel Air Z Sill Plate



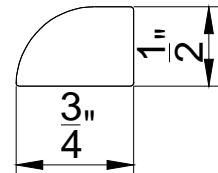
Vintage Hang Strip



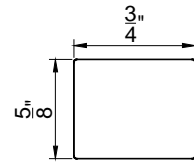
1" T Post W/ 1/4" Light Block
(Deco)



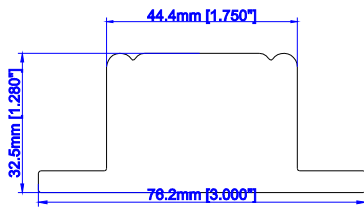
1" T Post W/ 3/4" Light Block
(L/Z/HS)



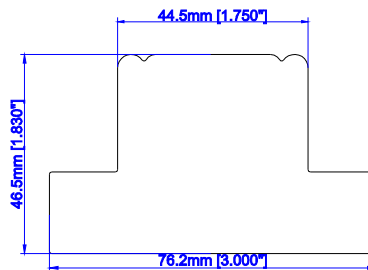
Scribe Trim



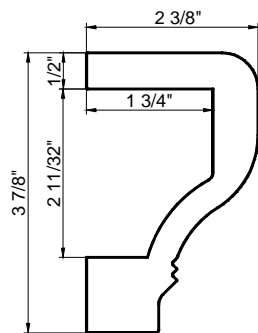
Light Block



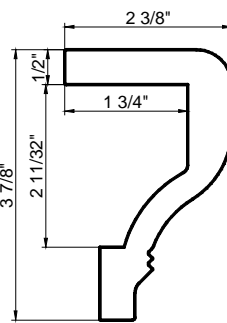
1 3/4" T Post W/ 1/4" Light
Block (Deco)



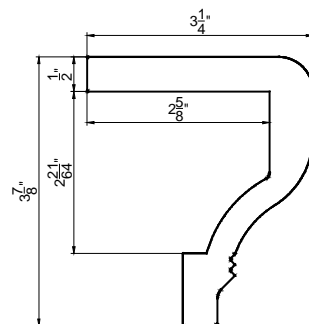
1 3/4" T Post W/ 3/4" Light
Block (L/Z/HS)



Curved Designer Sill Cap (L)

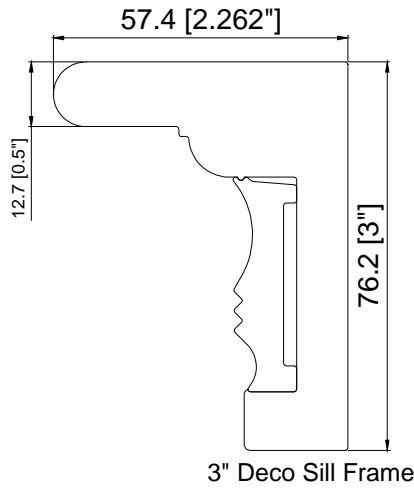


Curved Designer Sill Cap (D/HS)

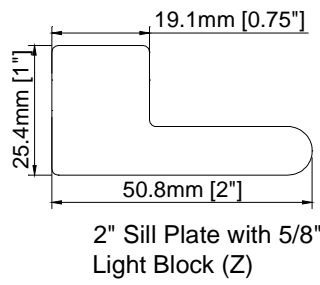


Curved Designer Sill Cap (Z)

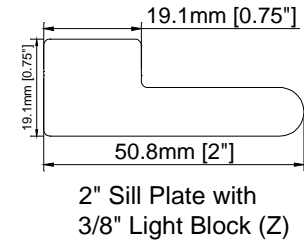
Frame Styles



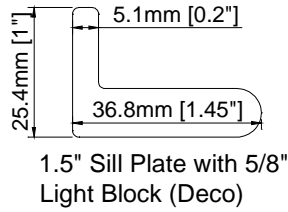
3" Deco Sill Frame



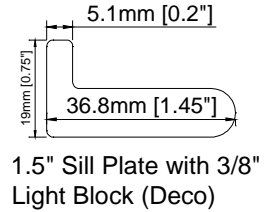
2" Sill Plate with 5/8" Light Block (Z)



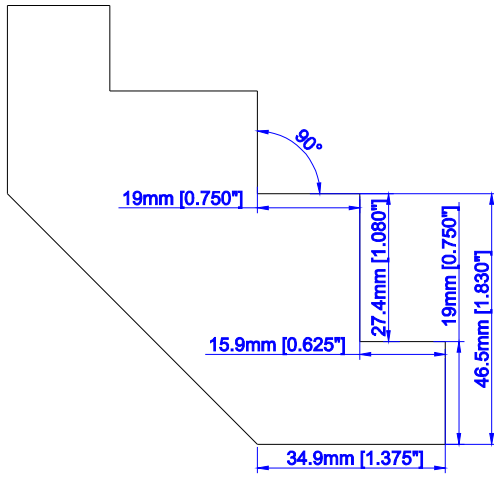
2" Sill Plate with 3/8" Light Block (Z)



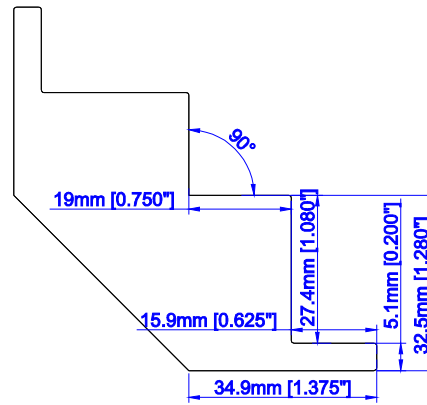
1.5" Sill Plate with 5/8" Light Block (Deco)



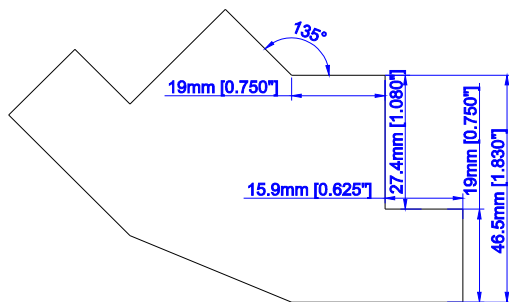
1.5" Sill Plate with 3/8" Light Block (Deco)



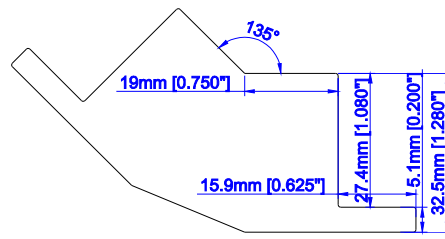
Corner Post W/ 3/4" Light Block (L/Z/HS)



Corner Post W/ 1/4" Light Block (Deco)

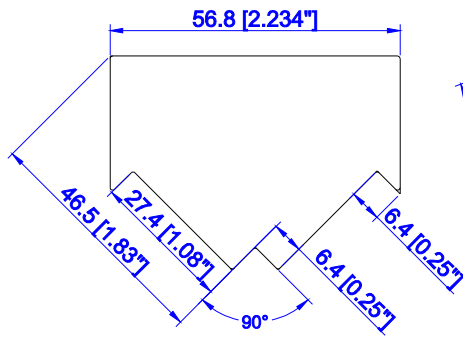


Bay Post W/ 3/4" Light Block (L/Z/HS)

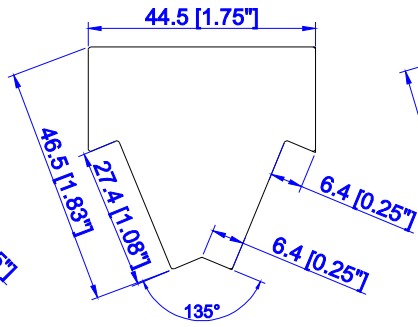


Bay Post W/ 1/4" Light Block (Deco)

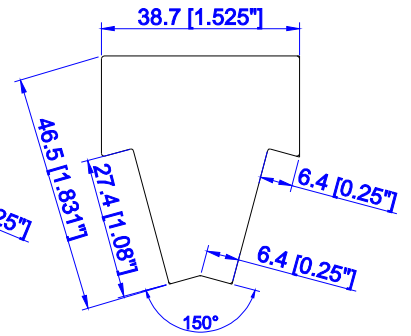
Frame Styles



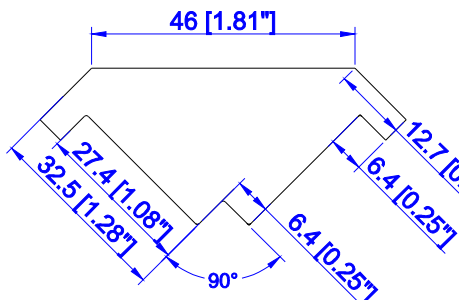
Slim Fit Corner Post for 90 Degree (L/Z/HS)



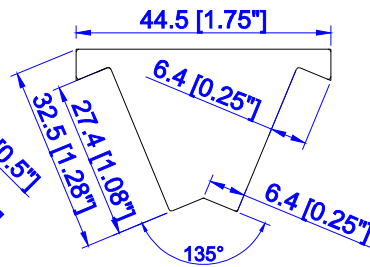
Slim Fit Bay Post for 135 Degree (L/Z/HS)



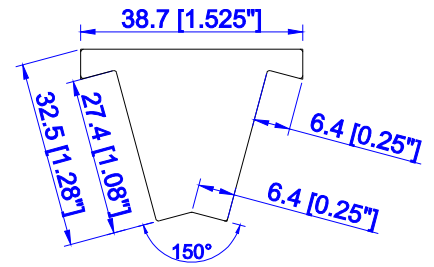
Slim Fit Bay Post for 150 Degree (L/Z/HS)



Slim Fit Corner Post for 90 Degree (D)



Slim Fit Bay Post for 135 Degree (D)

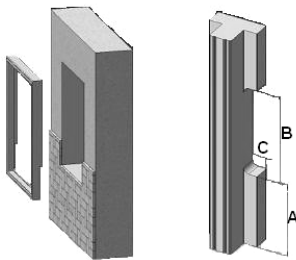


Slim Fit Bay Post for 150 Degree (D)

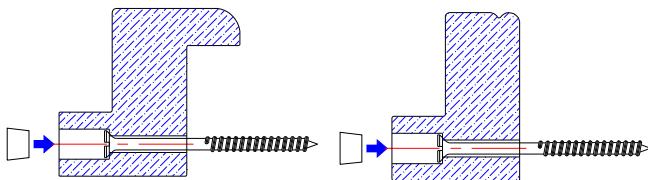
Notch out*:

- L Frame
- T Post

Specify dimensions in special instruction box.

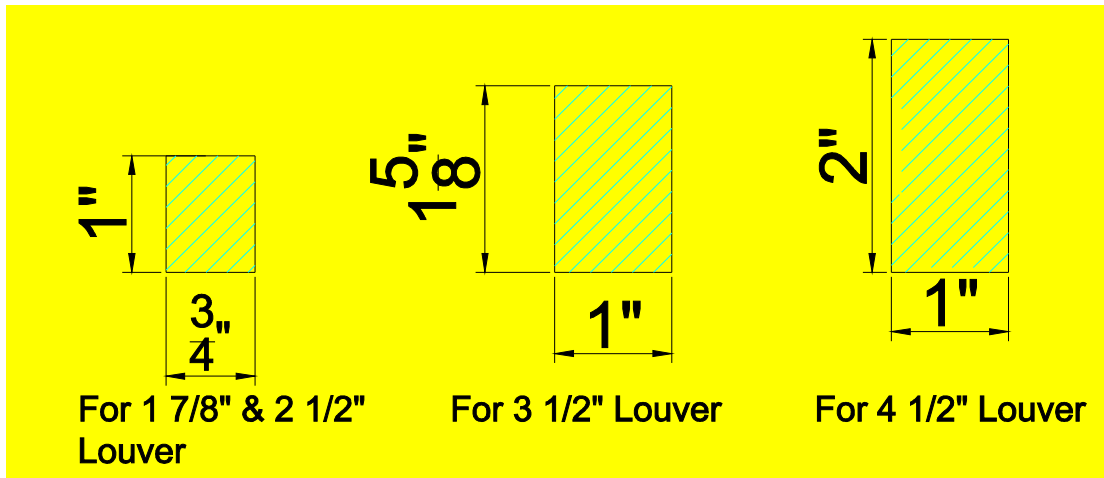


Pre-drill L or Z Frames:



Frame Styles

Batten Frame (For French Door Type E/F)



Woodlore® Shutters

General Product Specifications

<u>Description</u>	<u>Minimum</u>	<u>Maximum</u>
Single Panel Width (Regular)	6"	30" for 2½", 3½", 4½" louver; 24" for 1 ⅞" louver
Single Panel Width (Bifold)	6"	24"
Single Panel Width (Bifold Track)	6"	24"
Single Panel Width (for Bypass Panel With Center Stile)	6"	48" for 1 ⅞" louver; 50" for 2½", 3½", 4½" louver
Single Panel Height	10"	133"
Shutter Width (Without T Post)	N/A	96" + frame
Shutter Width (With T Post)	N/A	Unlimited (frame pieces exceeding 142" will be spliced)
Shutter Height	N/A	133" + frame

Shutters without bottom supports

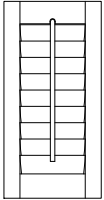
Woodlore Shutters without bottom supports may sag and deform. Therefore, we strongly discourage the use of shutters for this application. We will continue to manufacture these shutters; however, they will not be covered under our warranty and will be subject to the guidelines listed below:

All Woodlore panel configurations:

- You must inform NWF of situations where shutters will not have bottom support when placing the initial order.
- Informing Norman Shutters when placing such orders ensures that the factory will add extra hinges to support the panel. This will reduce the probability of the panels sagging and increase shutter integrity. You must release Norman Shutters from liability in these situations.
- If you fail to notify Norman Shutters that the shutter will be used without bottom support, this will constitute a misapplication of the shutter. Consequently, you will be responsible for the cost of any RGA that is submitted.
- If you want a bifold shutter, a track must be ordered to support the panels. Without a track, Norman Shutters will not manufacture the order even with liability waived.

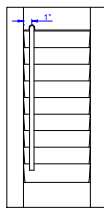
Woodlore® Shutters

Tilt Rods



**Standard Tilt Rod
Default Location**

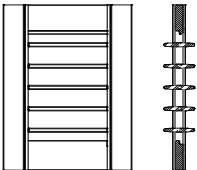
In the middle of the panel on front side (default).



**Offset Tilt Rod*
Default Location**

On the front side of the panel and at 1" from the louver ends on the hinged side.
Optional location: per your request.

InvisibleTilt™ *



Louver tilting system embedded within panel stile. It is not available for 1⁷/₈" louver. The tilting system is split when the number of louvers exceeds the limits as listed below:

Louver Size	Maximum Possible Louvers	Height Range
2½"	24	54 3/4" – 57 1/4"
3½"	16	54 3/4" – 58"
4½"	12	54 3/4" – 60"

- For even numbers of louvers, the number of louvers operated by the top and the bottom tilting system will be the same.
- For odd numbers of louvers, the number of louvers operated by the bottom tilting system will be one more than the number of louvers operated by the top tilting system.

* Surcharge applies. Please see Options and Surcharges page for details.

Divider Rails

- A divider rail is an extra rail in the middle of the panel.
- Creates two sections in the panel so louvers can be operated independently.
- Strengthens the panel and enhances structural integrity.
- Required for panel heights over 74".

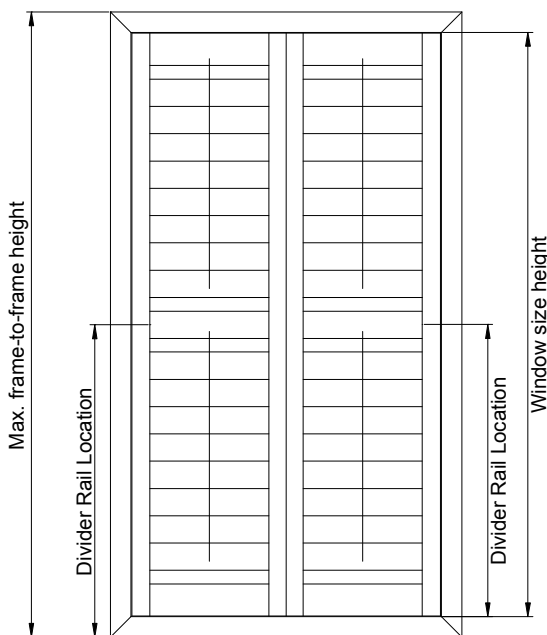
Specifications

- Standard width: 3"
- Default location: center of the panel unless specified otherwise

Measurements:

- Window size:
 - Measure from the bottom of the window to the center of the divider rail.
- Max frame-to-frame:
 - Measure from the bottom of the frame to the center of the divider rail.
- Position:
 - Per customer's specification. However, the divider rail may be adjusted to a lower or higher position, within our allowable deviation, to ensure reinforcement and aesthetics of the shutter.

When placing the order, please clearly specify if the divider rail position needs to line up with that of other shutter divider rails in the same room. Please also refer to the table below for the allowable deviation details.



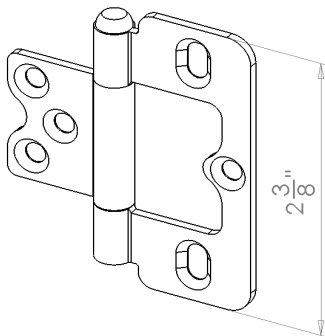
Divider rail allowable deviations

Louver Size	Allowable \pm Deviation
1 $\frac{7}{8}$ "	$\frac{3}{4}$ "
2 $\frac{1}{2}$ "	1"
3 $\frac{1}{2}$ "	1 $\frac{1}{2}$ "
4 $\frac{1}{2}$ "	2"

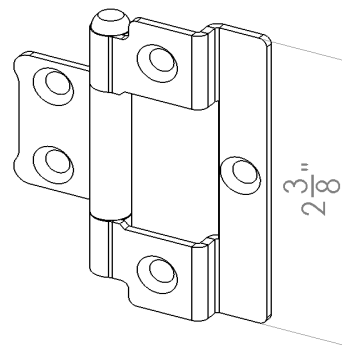
Hardware

Hinges

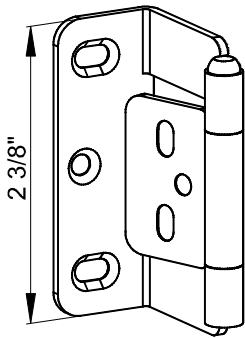
Self-Mortise Hinge



Bi-fold Hinge



L Hinge

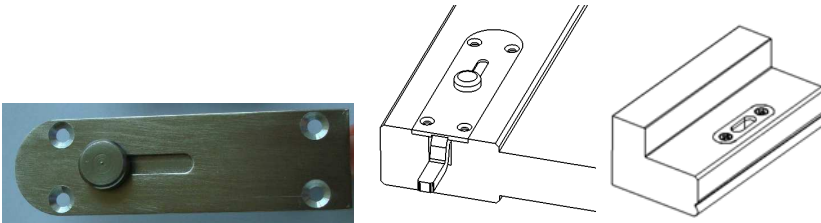


Hinges are available in :
Silk White, Bisque, Pearl, Bright Brass, Antique Brass, Black, Nickel plated and Stainless Steel*

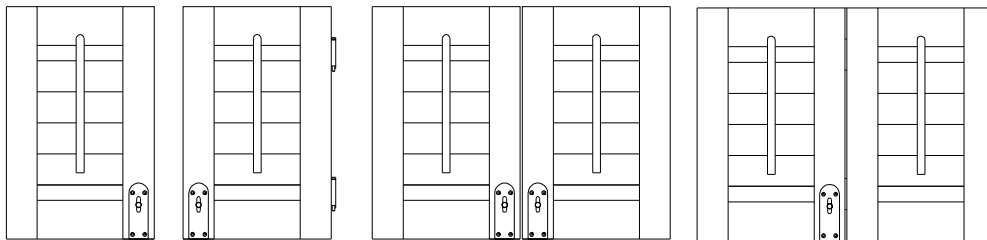
Panel Lock: (not available for 1.625" Stile)

Available Material: All

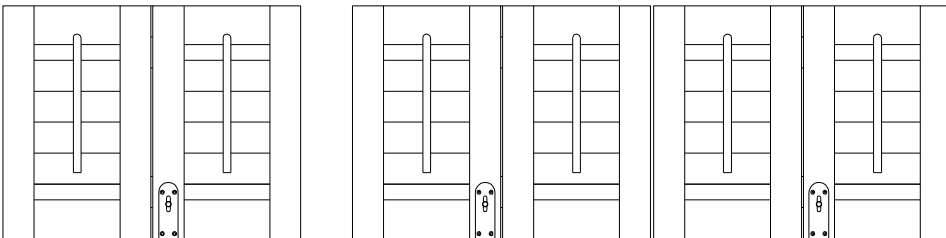
Color: Brush Nickel-Plated



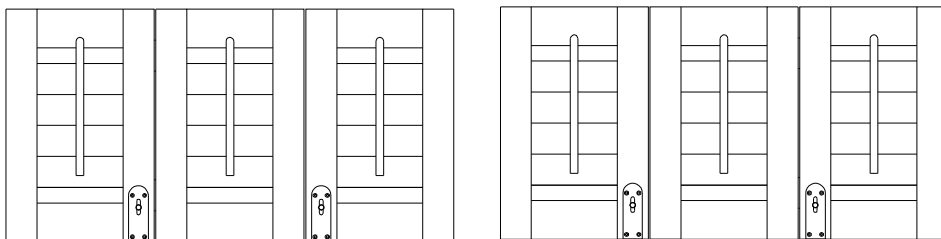
Position: (Only available on Bottom for Track Shutters with Bottom Track; For Regular, available on Top/Bottom/both Top and Bottom)



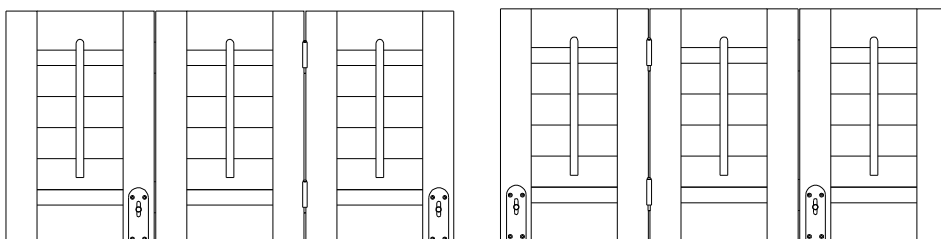
Panel Config: L Panel Config: R Panel Config: LR Panel Config: LL



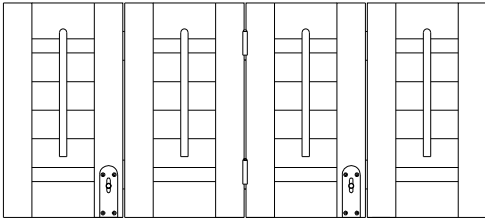
Panel Config: RR Panel Config: LLRR



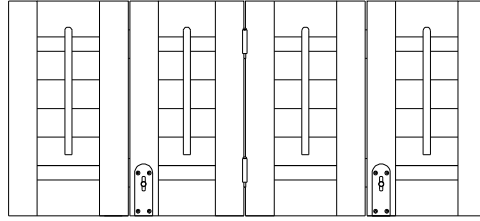
Panel Config: LLR Panel Config: LRR



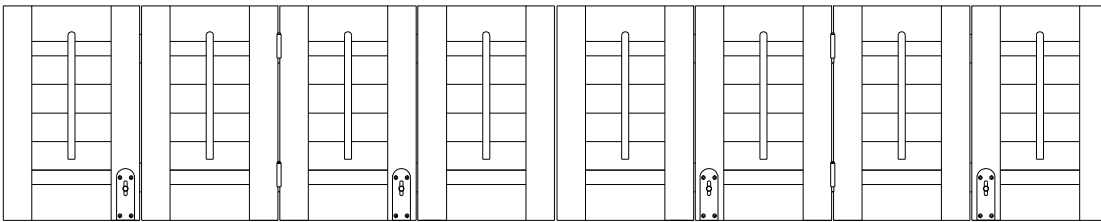
Panel Config: LLL Panel Config: RRR



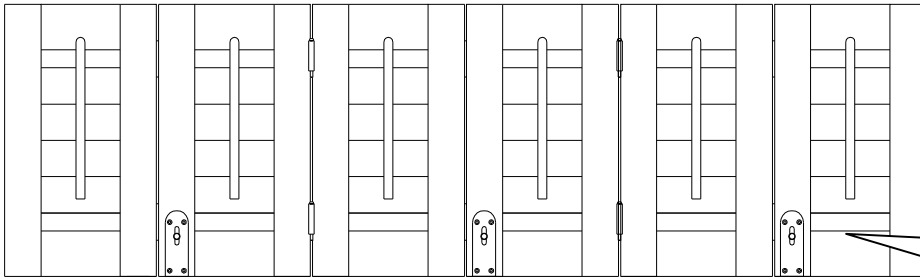
Panel Config: LLLL



Panel Config: RRRR



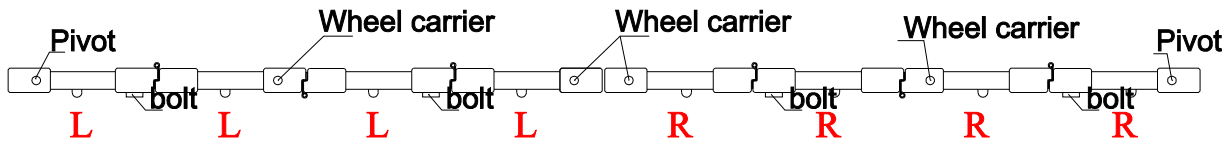
Panel Config: LLLLRRRR



Panel Config: FFFFFF(R)

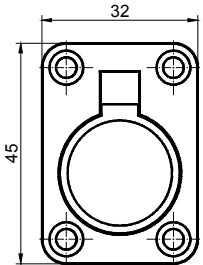
Default:
Floating panels
stacked to Right

The Panel Lock location for both track system shutters and regular shutters would be the same. The general principle is that the Panel Lock position will avoid the stile which will install the spring-loaded guide at bottom (same stile as the Wheel carrier).



Ring pull: for easy opening and closing

(Not available for 1.625" Stile)

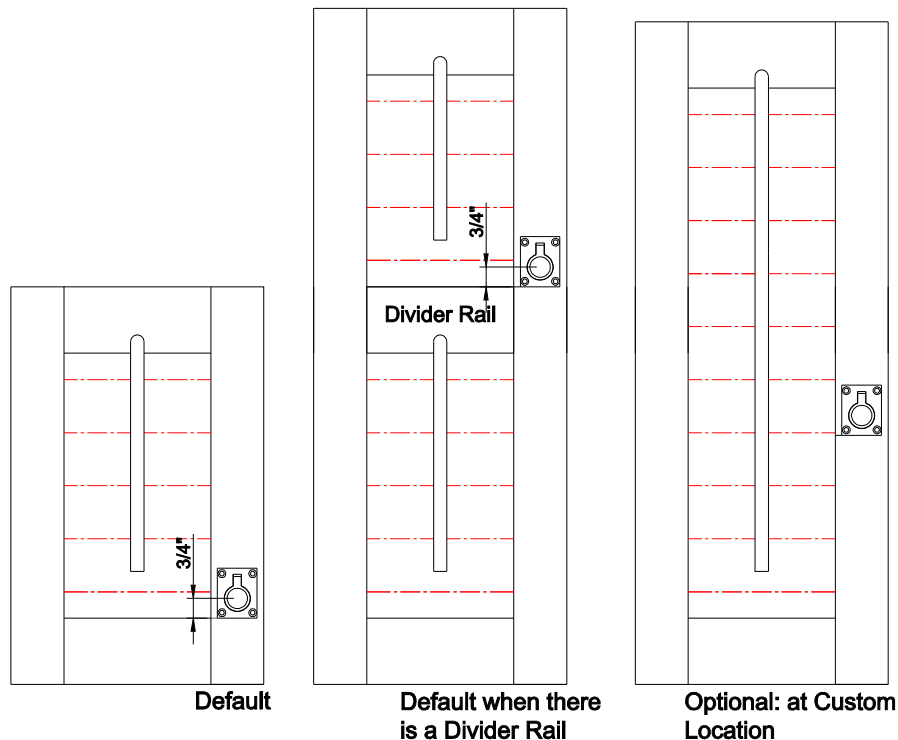


Please note the ring pull finish will match with the hinge finish.

Please see the matching chart below:

Hinge	White	Bisque	Pearl	Black	Nickel	Brushed Nickel	Oil-Rubbed	Antique Brass	Bright Brass	Stainless Steel
Ring Pull	White	Bisque	Pearl	Black	Brushed Nickel	Brushed Nickel	Black	Antique Brass	Bright Brass	Brushed Nickel

Position: For different panel configuration, please refer to the location of Panel Lock to show on which stile the pull will be fixed.

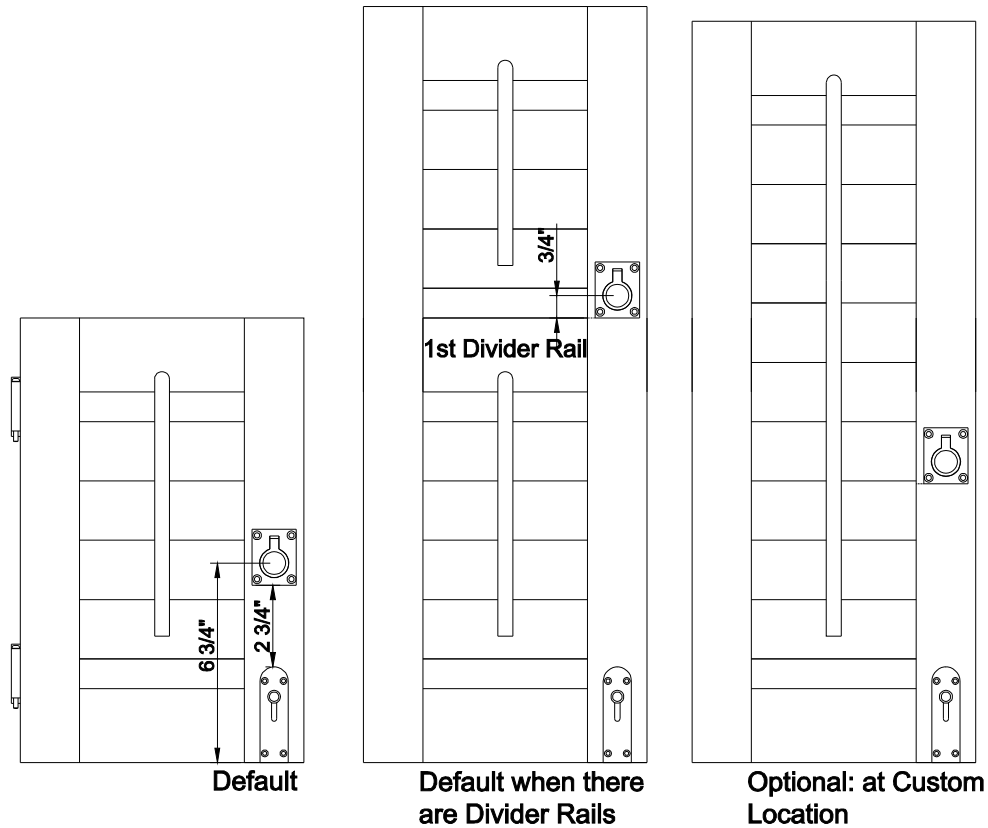


Position:

- A. Above Bottom Rail (Default)
- B. Above 1st Divider Rail (Default when there are Divider Rails)
- C. Custom Location

If both Panel Lock & ring pull are specified, the distance between them is $2\frac{3}{4}$ " , and the ring pull location is $6\frac{3}{4}$ " from the bottom of panel.

When there is no mid rail, ring pull will be just on the top of Panel Lock ($2\frac{3}{4}$ " above Panel Lock) as default location; if there are mid rails, bottom of ring pull lines up with top of the 1st mid rail as default location.



Position:

- A. $2\frac{3}{4}$ " Above Panel Lock (Default when both Ring Pull and Panel Lock are specified)
- B. Above 1st Divider Rail (Default when there are Divider Rails)
- C. Custom Location

Measurements:

- Window size:
 - Measure from the bottom of the window to the center of the ring pull.
- Max frame-to-frame:
 - Measure from the bottom of the frame to the center of the ring pull.

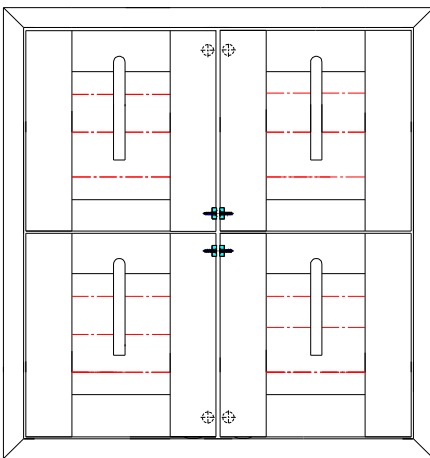
Side Magnet: Only available for Butt and Astragal stile



For Shutter with Astragal Stile, Side Magnets will be applied in following situation:

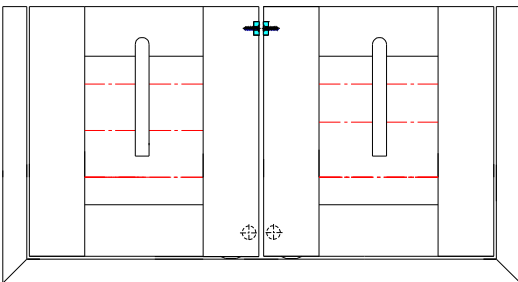
1. Double Hung shutter but without horizontal T post:

Side magnets will be applied to the meeting stiles of the L and R panel. (Default)



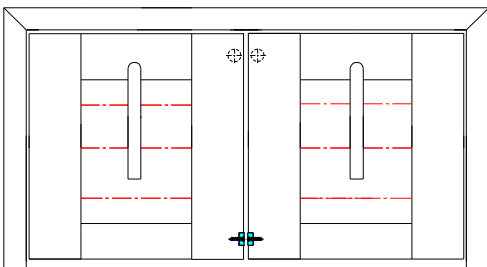
2. Café Shutter

Side magnets will be applied to the meeting stiles of the L and R panel. (Default)



3. No frame or light block or L-shape striker plate on either top or bottom, or if larger than standard top or bottom gap is requested.

Side magnets will be applied to the meeting stiles of the L and R panel. (Optional)



Bi-fold 180™

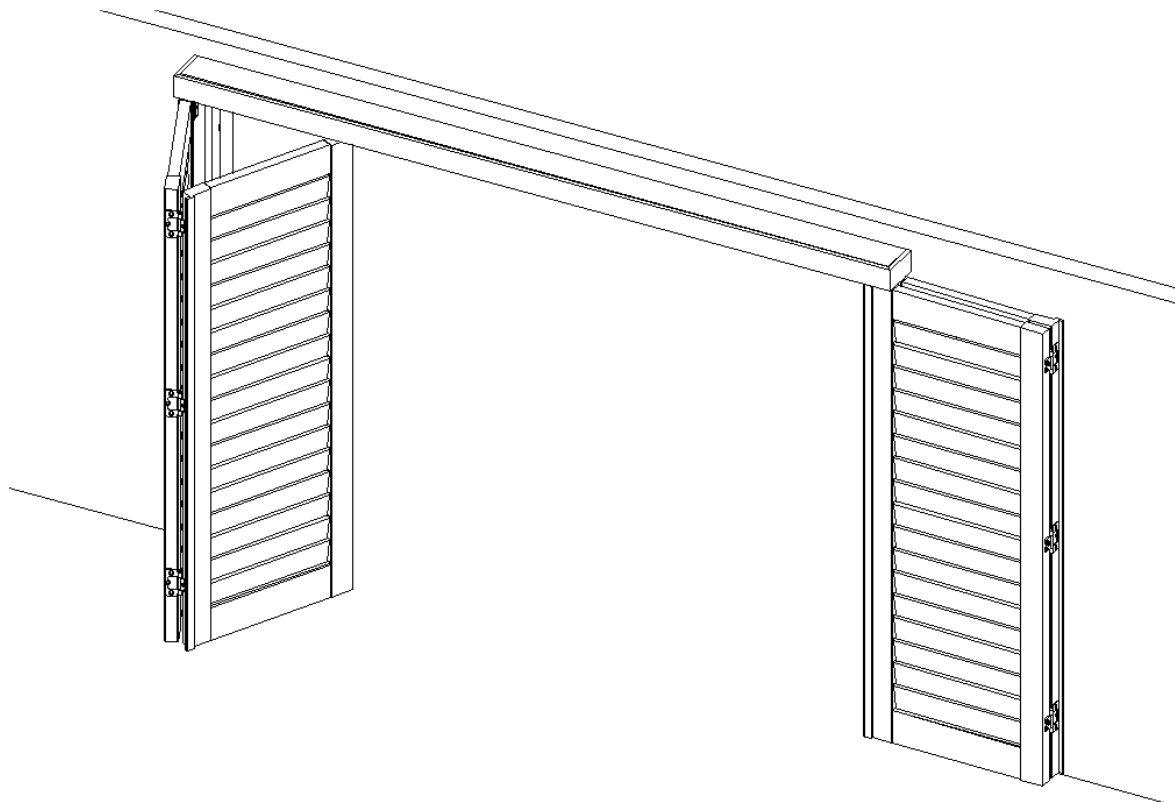
Guidelines and Specs:

<u>Description</u>	<u>Minimum</u>	<u>Maximum</u>		
		1 ¼"	1 ⅞"	2½" ; 3½" ; 4½"
Single-Panel Width (Bi-fold Track)	6"	N/A	24"	24"
Single-Panel Width (LLL/RRR)	N/A	N/A	N/A	N/A
Single-Panel Height	10"	N/A	133"	133"

Outside Mount

Max frame-to-frame width: window width + 3 1/2"

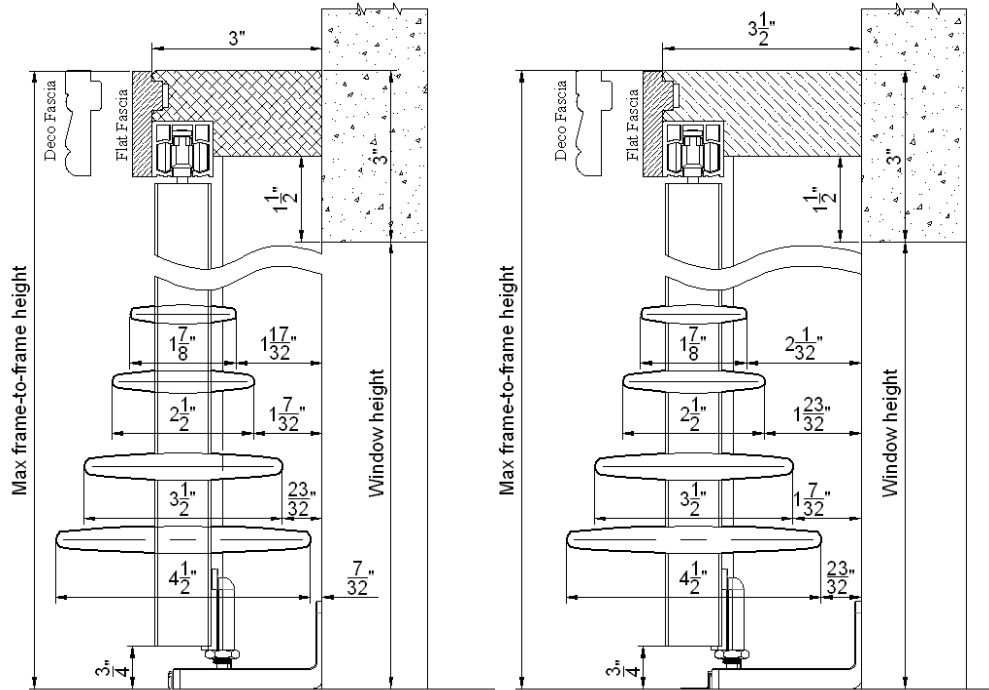
Max frame-to-frame height: window height + 3



- Track is pre-installed on the header; standard 1 track only.

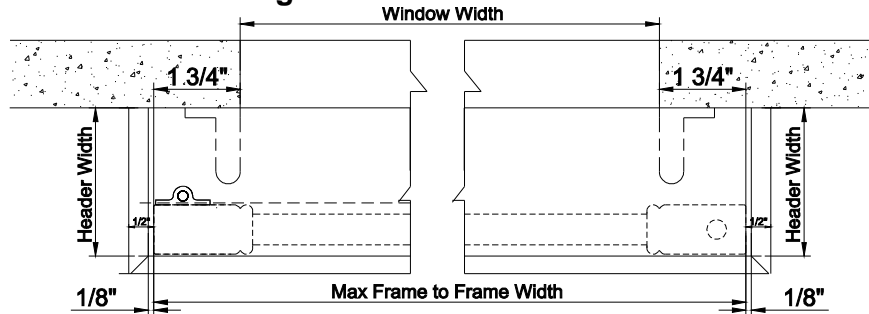
Mounting Options: Outside Mount only

Side View

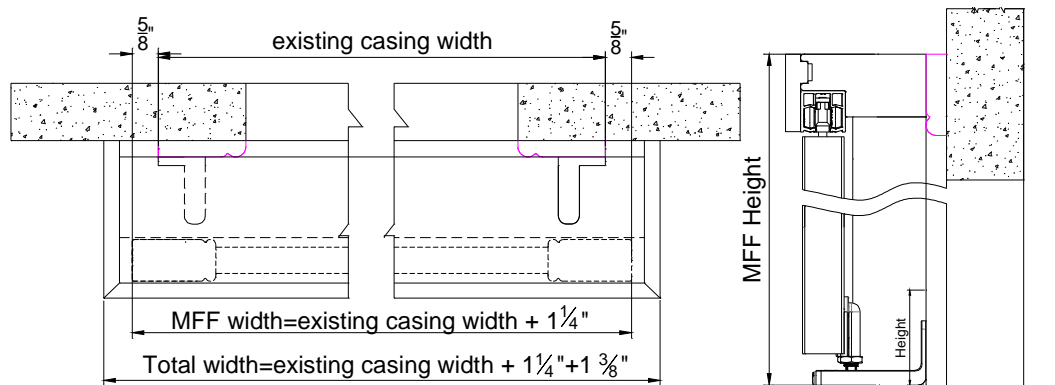


Top View

Without Casing:



With Existing Casing:



Note:

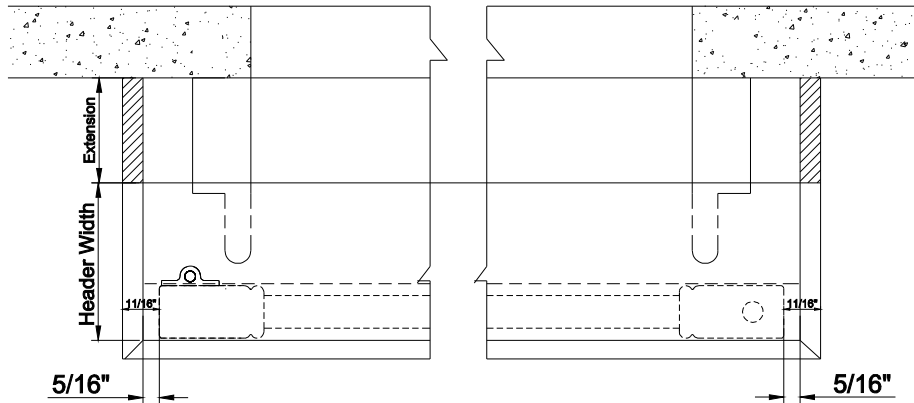
◇ Fascia return will protrude the panel about 1/2" for each side.

◇ The header will protrude the panel about 1/8" for each side.

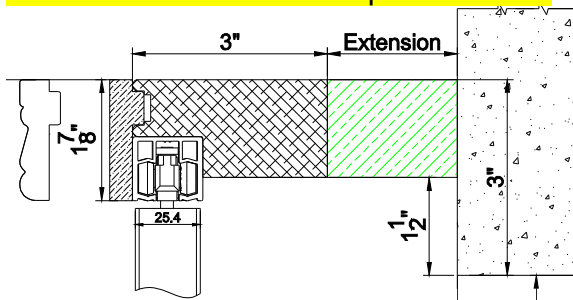
◇ Header, light blocks, and bottom pivot bracket(s) must be installed on a flat surface.

Woodlore® Shutters

- ◇ Header Extension: Optional
- ◇ Custom extension up to 2" for Header
- ◇ When extension is needed, the header will protrude the panel $5/16"$ for each side and the fascia return will protrude the panel $11/16"$ for each side.

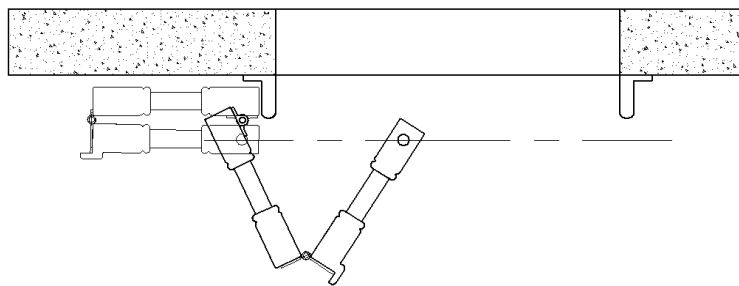


◇ The extension will be pre-attached.

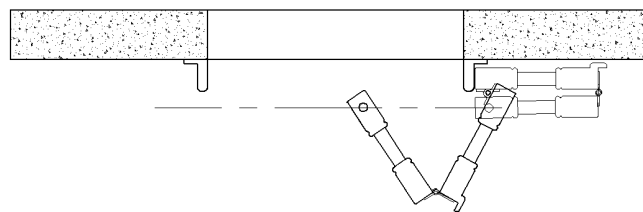


Panel Configuration : Only 2", 2 1/4" astragal and butt stile is available. Center and Rabbet stile is not available.

LL

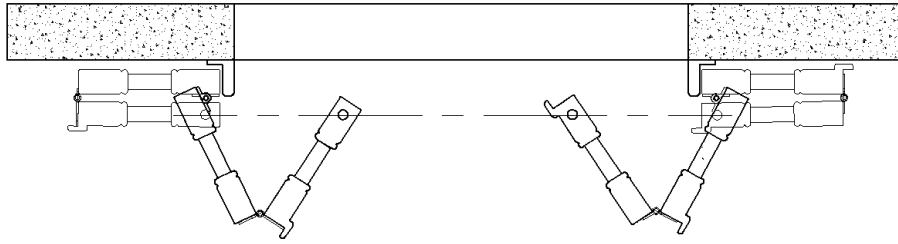


RR



Woodlore® Shutters

LLRR:



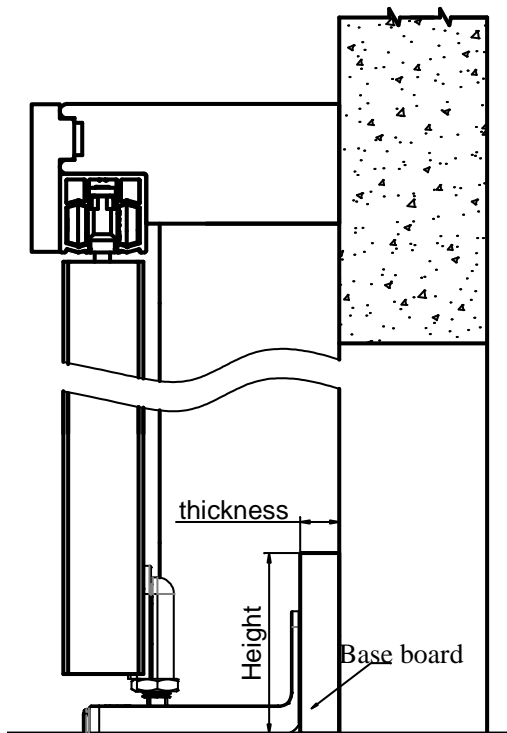
Notes:

If there is no baseboard to the wall, 3" header can be used.

If there is baseboard to the wall, then it should be as below:

1. If base board thickness is less or equal to 5/8", 3 1/2" header can be used.
2. If base board thickness is over 5/8", it is suggest using the 3" header with build out. And the build out thickness=base board thickness-1/8".

Please see the drawing below:



180° Bi-fold Track Shutters Framing Materials

Type	Header Dimension	Top Fascia Dimension	L Shape Light Block Strip Dimension
Header & Top Fascia & Light Block Strip	3"	1 7/8"	1 1/2"
	3 1/2"		2 "

180° Bi-fold Track Shutters Hardware Box

Parts
Wrench
Hinge Pin
Bottom Pivot Bracket
1 ½ " screws for bottom pivot bracket
2 ½ " screws for Frame

Bi-fold 90

Guidelines and Specs:

<u>Description</u>	<u>Minimum</u>	<u>Maximum</u>		
		1 ¼"	1 ⅞"	2 ½" ; 3 ½" ; 4 ½"
Single-Panel Width (Bi-fold Track)	6"	N/A	24"	24"
Single-Panel Width (Multifold track up to 4 panels)	N/A	N/A	N/A	N/A
Single-Panel Height	10"	N/A	133"	133"

Outside Mount

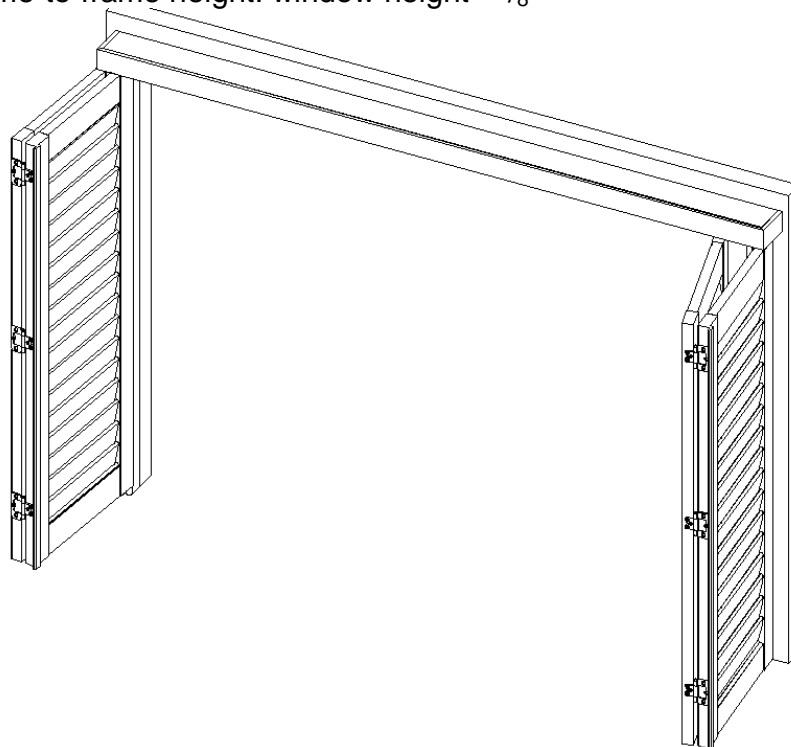
Max frame-to-frame width: window width + 3 1/2"

Max frame-to-frame height: window height + 3"

Inside Mount & Semi-Inside Mount

Max frame-to-frame width: window width - 1/8"

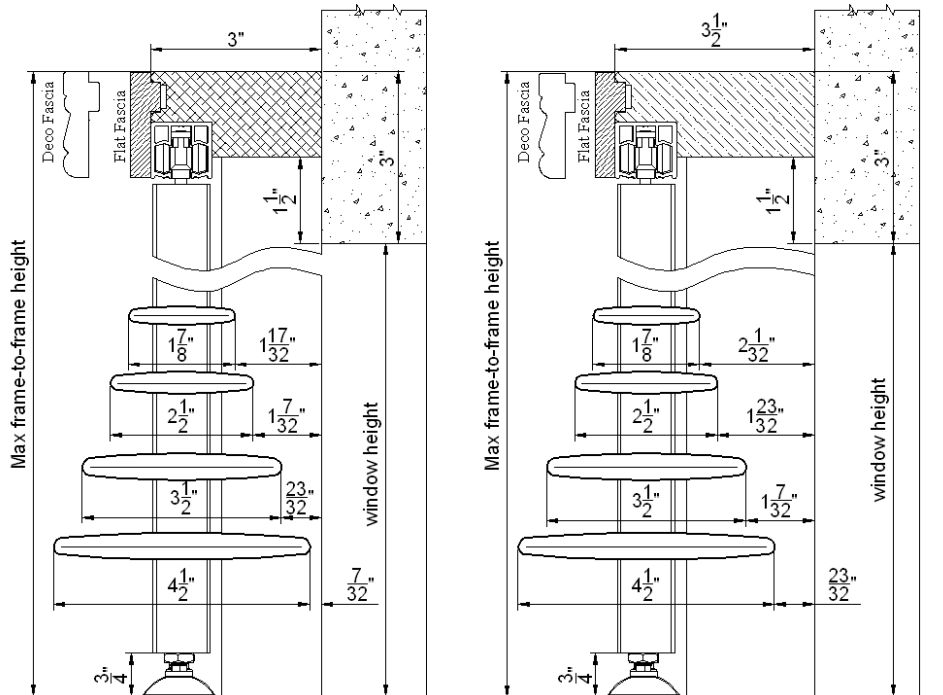
Max frame-to-frame height: window height - 1/8"



Track is pre-installed on the header; standard 1 track only.

Mounting Options: Outside Mount

Side View

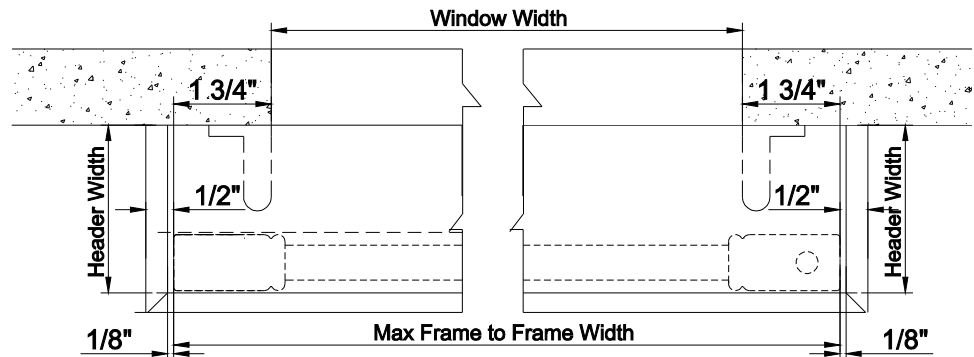


Top View

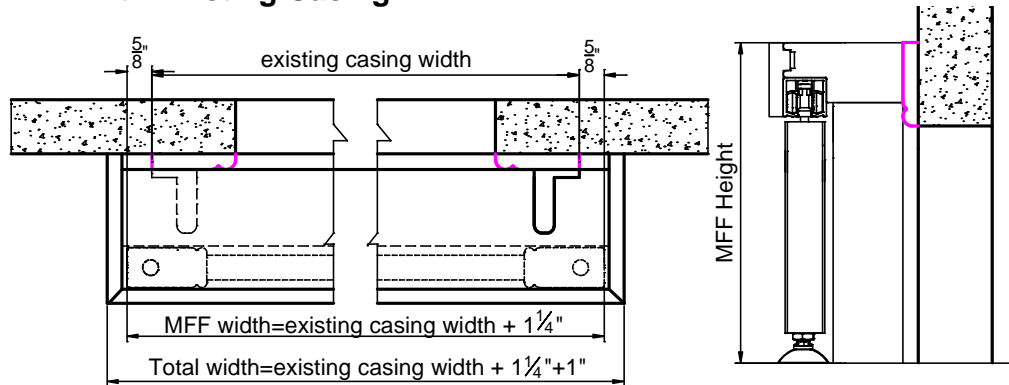
Without Casing:

Note:

- ◇ Fascia return will protrude the panel about 1/2" for each side.
- ◇ The header will protrude the panel about 1/8" for each side.
- ◇ Header, light blocks, and bottom pivot bracket(s) must be installed on a flat surface.

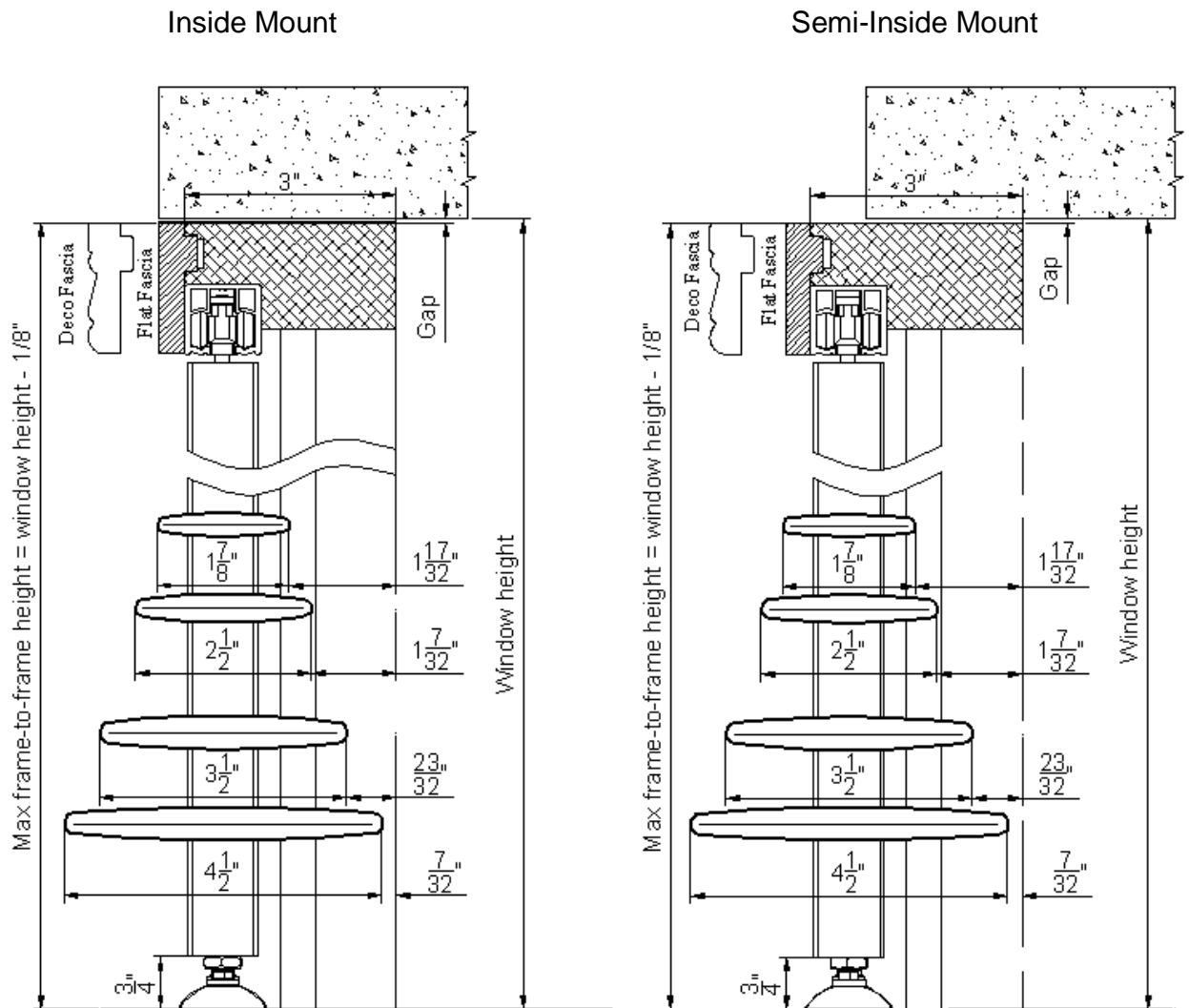


With Existing Casing:

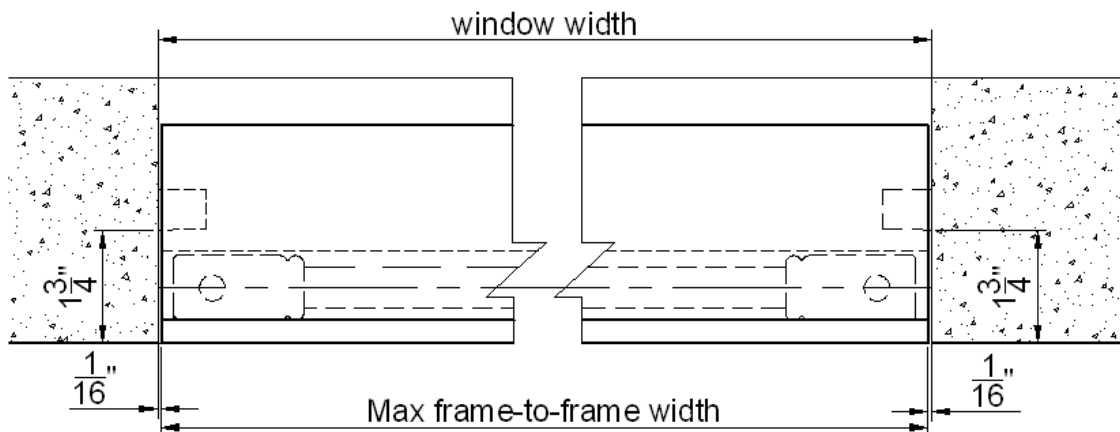


Inside Mount

Side View

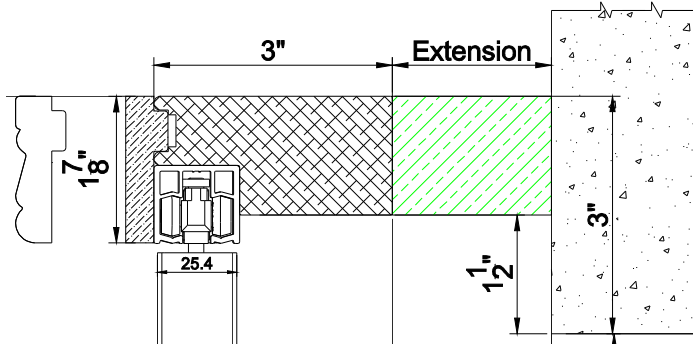


Top View



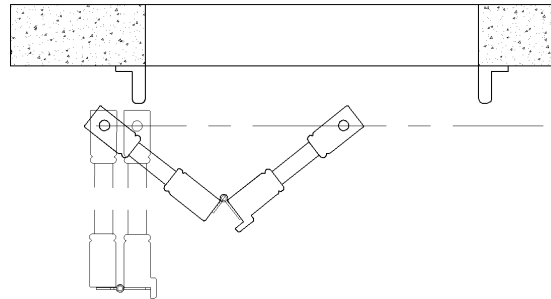
Woodlore® Shutters

- ◇ Header Extension: Optional.
- ◇ Custom extension up to 2" for Header
- ◇ The extension will be supplied loose with installation screws.

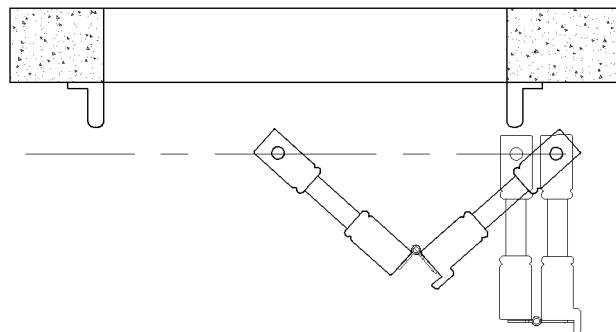


Panel Configuration : Only 2", 2 1/4" astragal and butt stile is available. Center stile and Rabbet is not available.

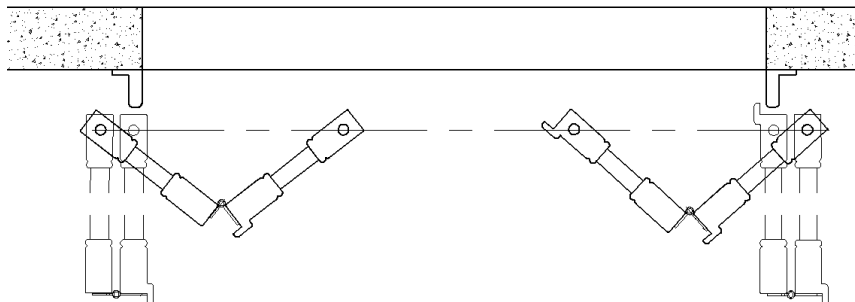
LL



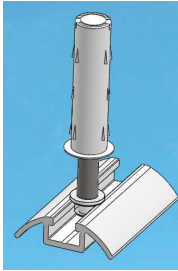
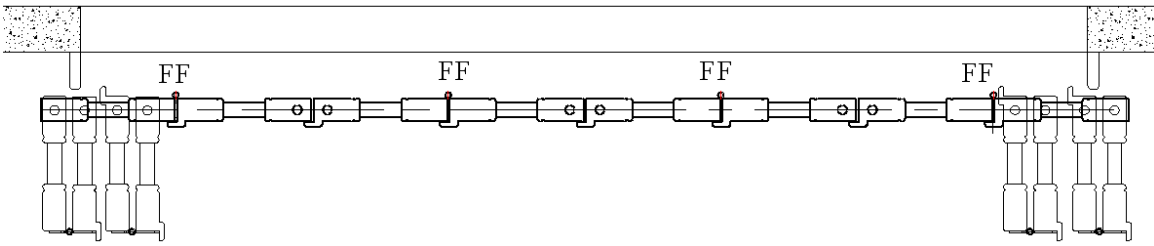
RR



LLRR:

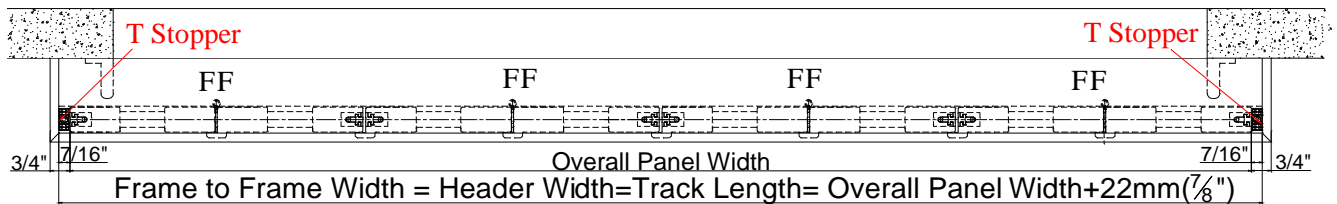


90° Floating Panels

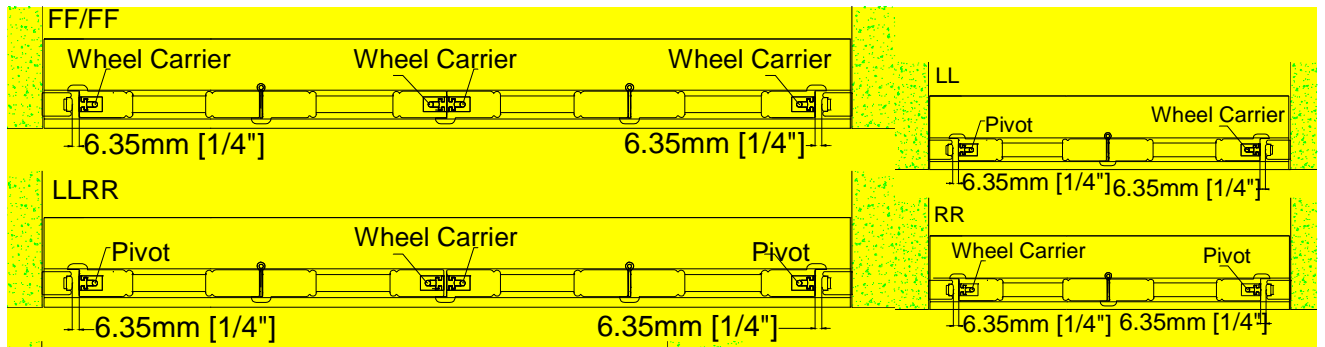


- Two or four panels can be hinged together, fold and slide to either direction
- Application comes with wheel carrier, spring loaded guide and floor track
- Can be used on large window

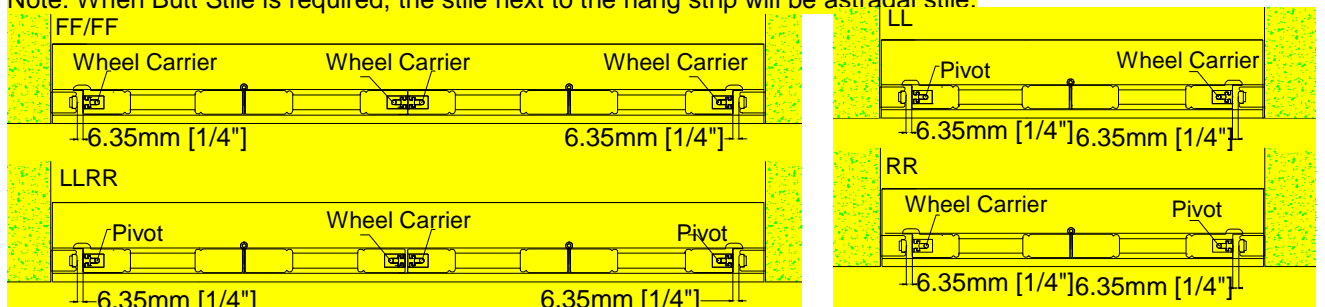
Note: For 90° Floating Panels outside mount, T Stopper will be supplied and the fascia return will protrude panel 3/4" for each side.



Optional (Hang Strip for Inside Mount Only)



Note: When Butt Stile is required, the stile next to the hang strip will be astragal stile.



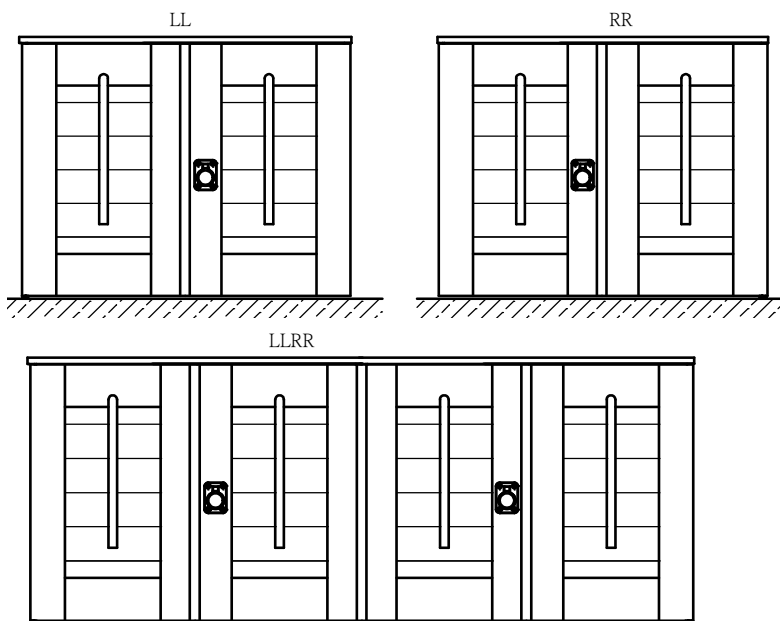
90 degree Bi Fold Track Shutters Framing Materials

Type		Header Dimension	Top Fascia Dimension	Light Block Strip Dimension	Hang Strip Dimension
Header & Top Fascia & Light Block Strip	OM	3"	1 7/8"	1 1/2"	
		3 1/2"		2 "	
	IM	3"		5/8"x3/4"	.08"x0.875"
	Semi-IM	3"		5/8"x3/4"	

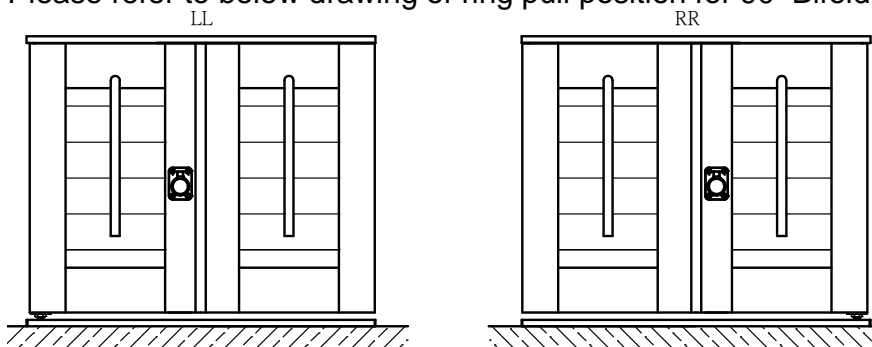
Note: It will be L shape light block strip for outside mount.

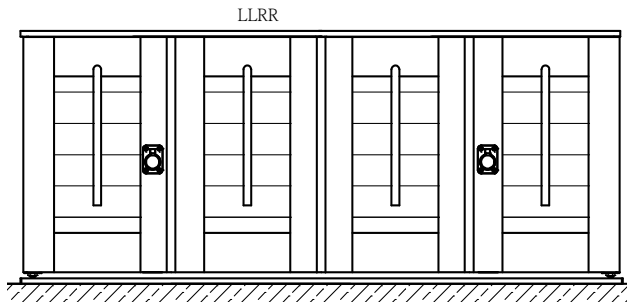
Ring Pull: The ring pull will be provided as default for both 90° and 180° Bifold Track Shutters. Customer need specify ring pull location on the order form. Ring pull location is measured from the floor to center of the ring pull in height direction. Ring pull color will match the hinge color.

Please refer to below drawing of ring pull position for 180° Bifold Track:

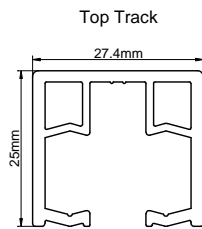


Please refer to below drawing of ring pull position for 90° Bifold Track:

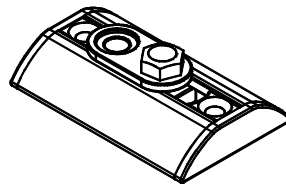




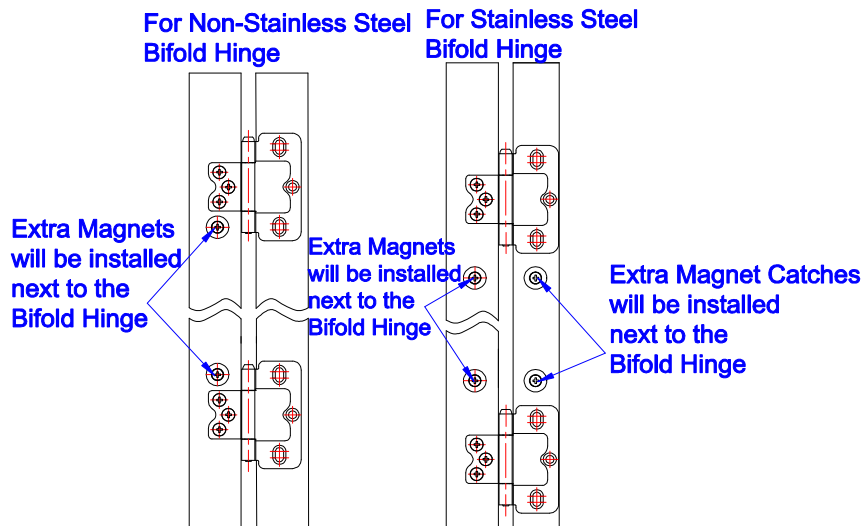
Track Dimension:



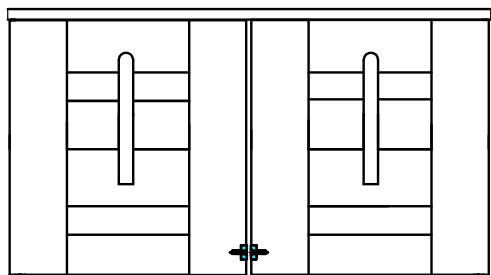
Bottom Pivot Bracket for 90 degree bifold:



Extra Magnets will be supplied for Bifold hinges: (only for the most top and bottom hinges)



Side Magnet: applied to the meeting stiles of LR panels



Extra magnet and Side Magnet



90° Bi Fold Track Shutters Hardware Box

Parts
Wrench
Hinge Pin
Bottom Pivot Bracket
38.1mm screws for bottom pivot bracket
63.5mm screws for Frame

Track Shutters—Bypass

Guidelines and Specs:

<u>Description</u>	<u>Minimum</u>	<u>Maximum</u>			
		1 ¼"	1 ⅞"	2 ½"	3 ½" ; 4 ½"
Single-Panel Width (Woodlore)	6"	N/A	24"	30"	30"
Single-Panel Height	10"	N/A	133"	133"	133"

Outside Mount

Max frame-to-frame width: window width + 3"

Max frame-to-frame height: window height + 4 ½"

Semi-Inside Mount

Max frame-to-frame width: window width - 1/8"

Max frame-to-frame height: window height + 1 3/8"

Inside Mount

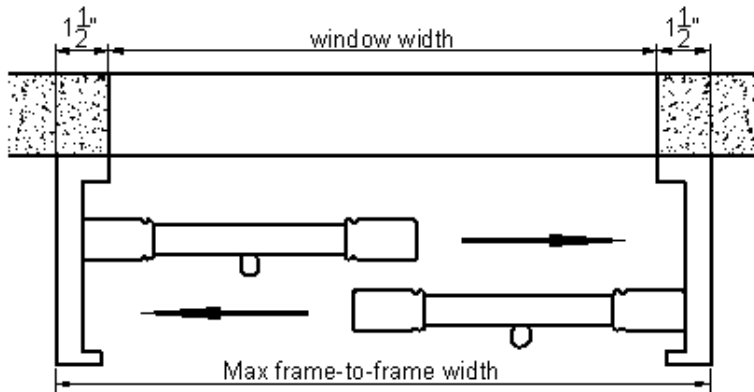
Max frame-to-frame width: window width - 1/8"

Max frame-to-frame height: window height - 1/8"

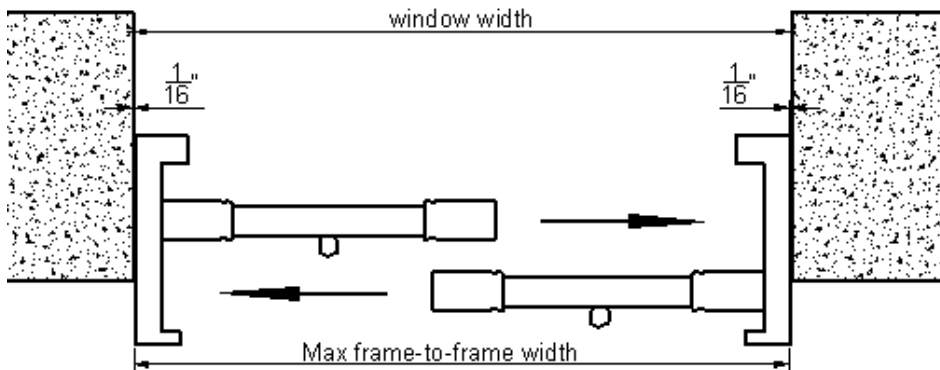
2014 Track Shutters—Bypass

Top View

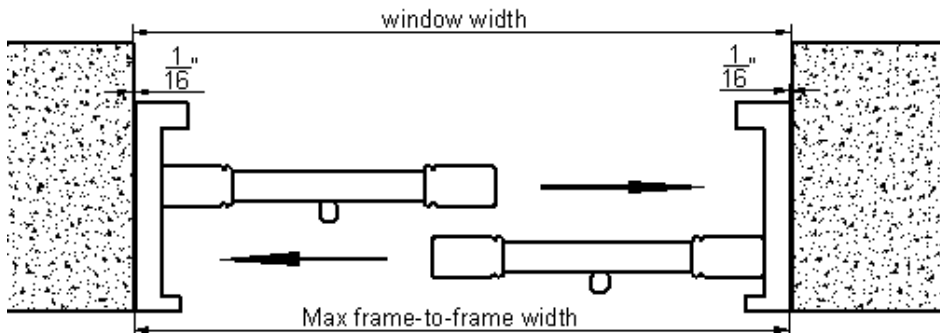
Outside Mount



Semi-Inside Mount



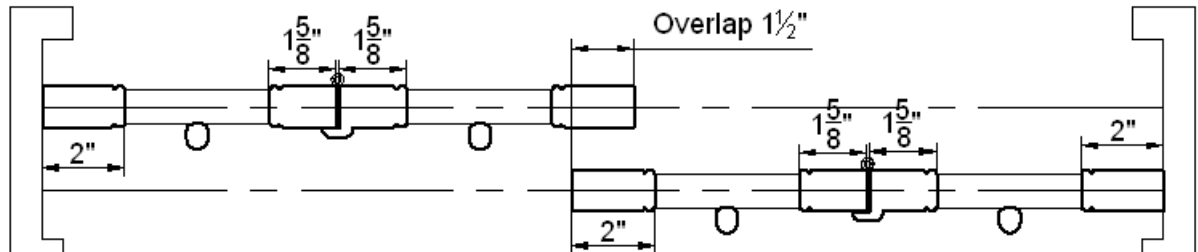
Inside Mount



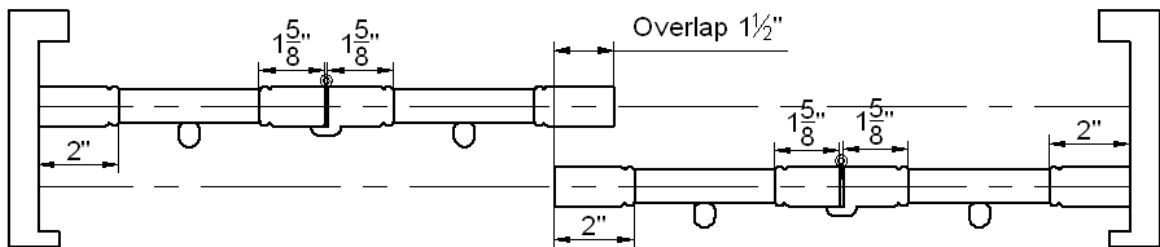
2014 Track Shutters—Bypass

Top View

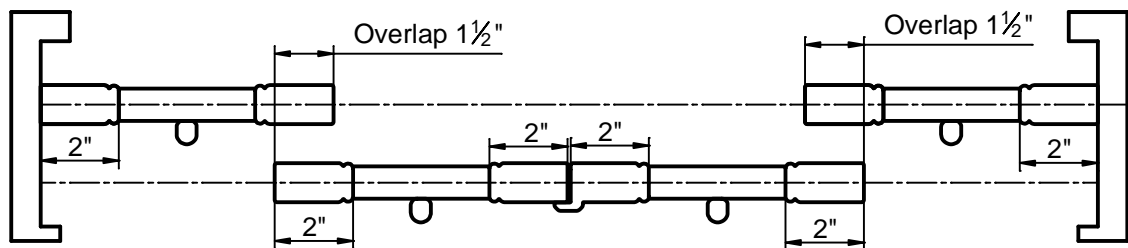
Combi - joined Panels (optional)



For shutters with 4 or more panels, please select “side open” or “center open”
Side Open



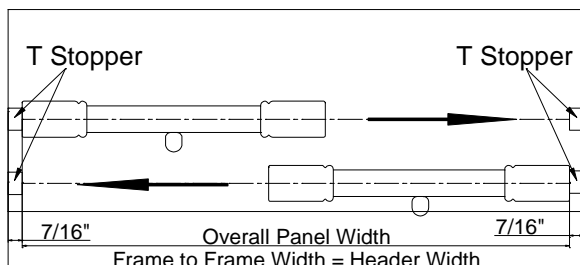
Center Open



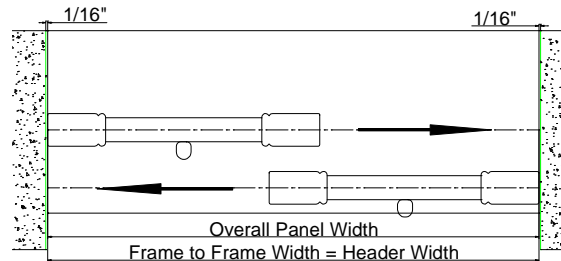
Stile: Only 2", 2 1/4" astragal stiles are available,
1 5/8" astragal stile only used for combi-joined panels.
Center stile is not available.

Size Definition

For Semi-Inside/OM without side boards

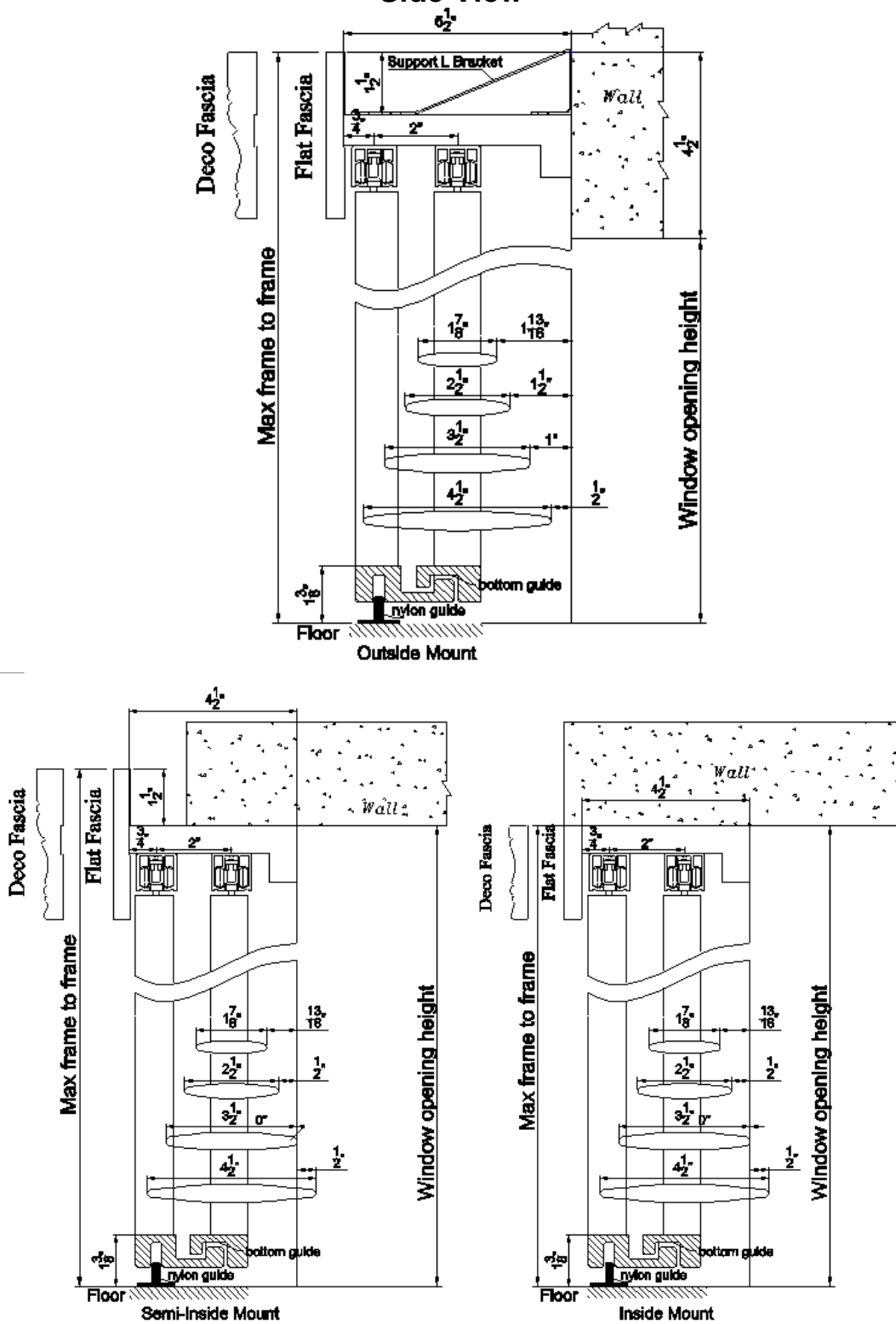


For IM without side boards

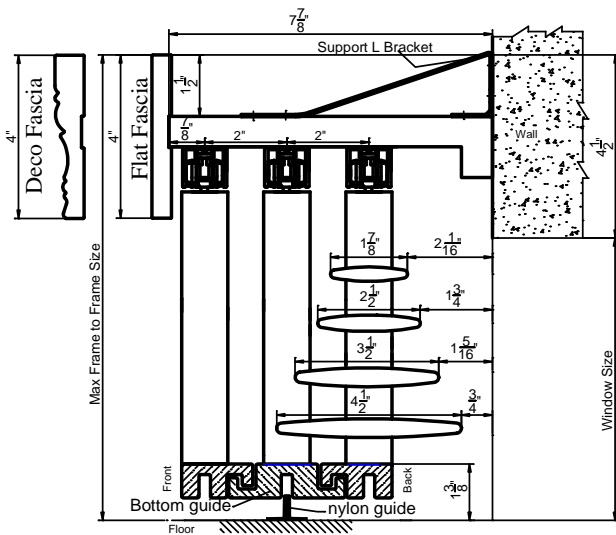


Note: For Semi-Inside/OM without side boards bypass, T Stopper will be supplied.

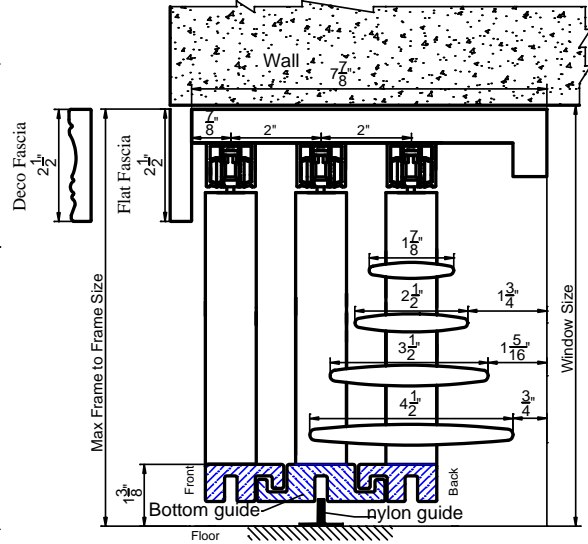
Mounting Options (Closed Bypass) Side View



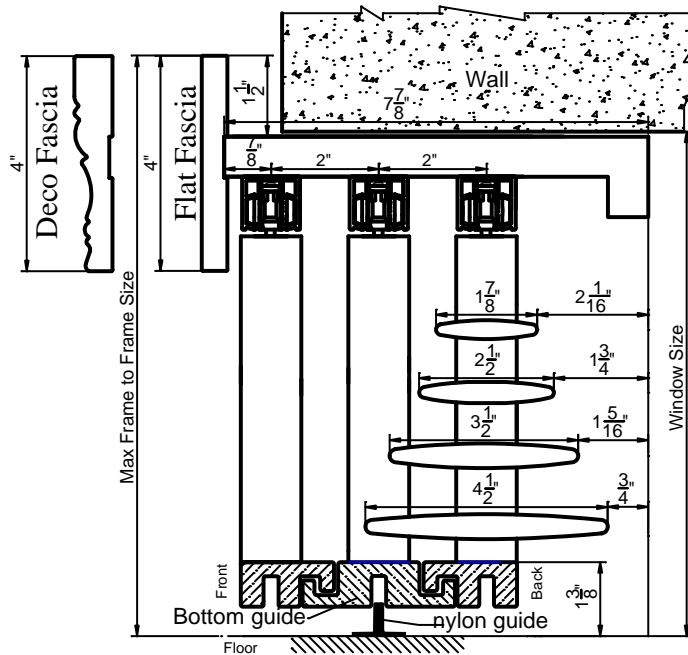
Mounting Options (Closed Bypass with 3 Tracks):



Outside Mount



Inside Mount

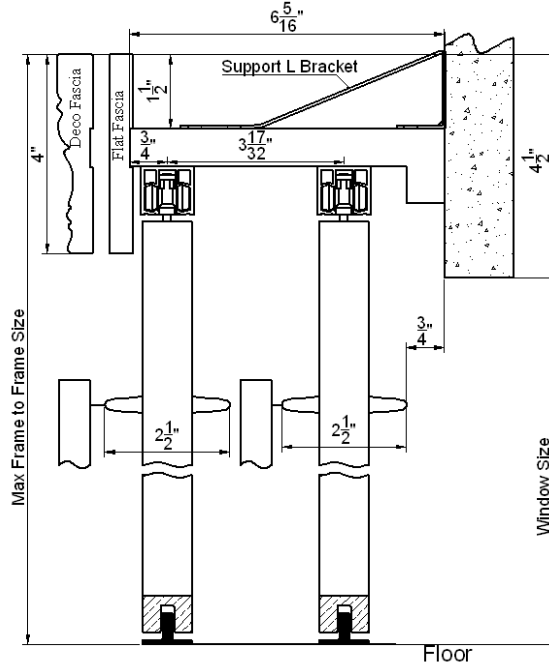


Semi-Inside Mount

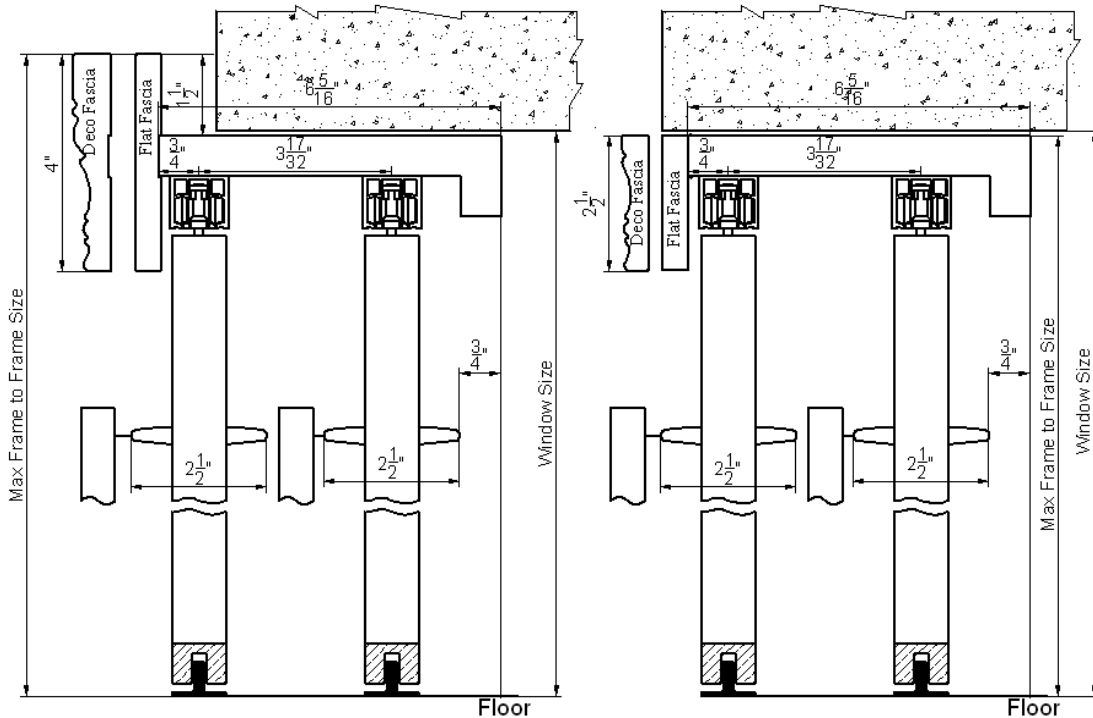
Mounting Options (Opened Bypass)

Only available in 2 1/2" and 3 1/2" louver sizes

2 1/2" Louver



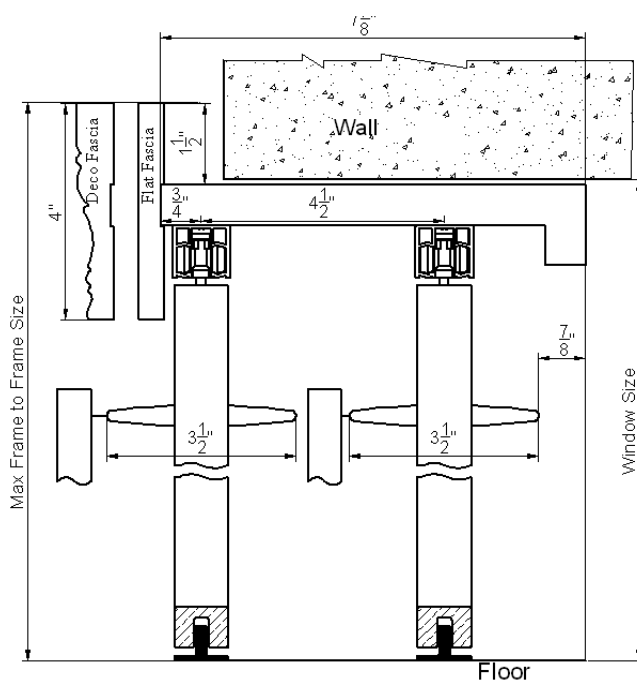
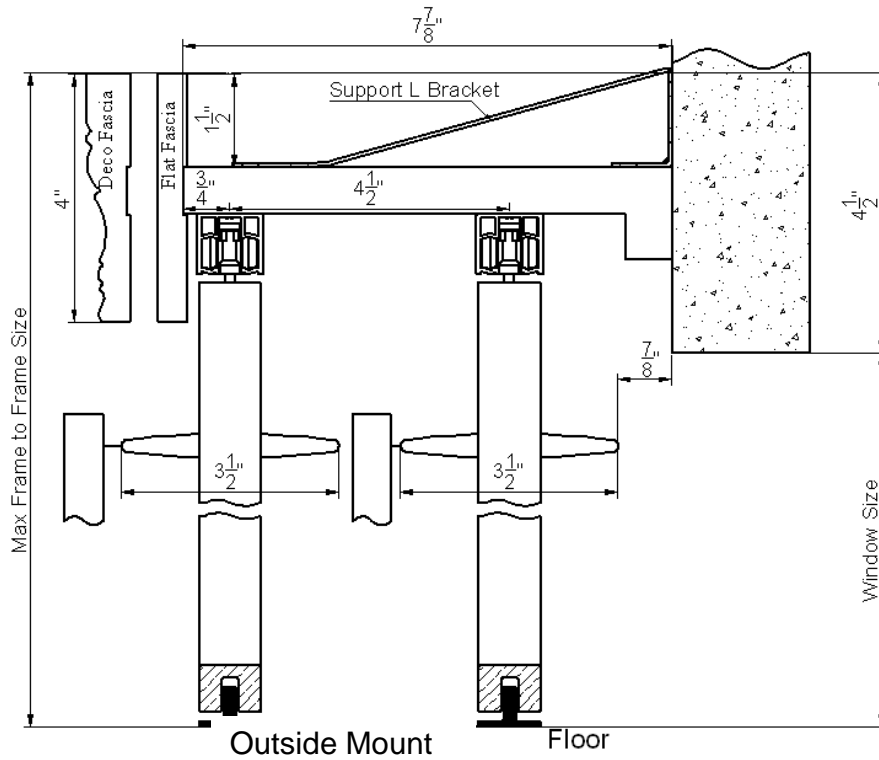
Outside Mount



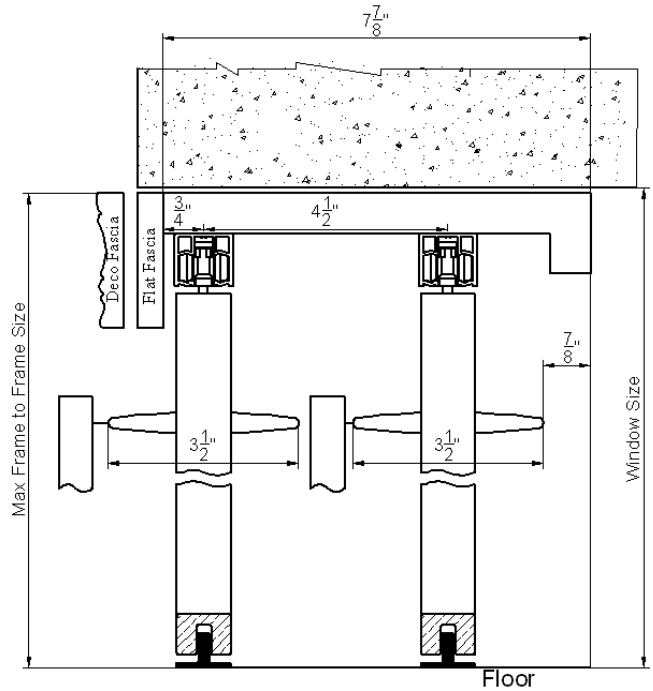
Semi-Inside Mount

Inside Mount

3 1/2" Louver



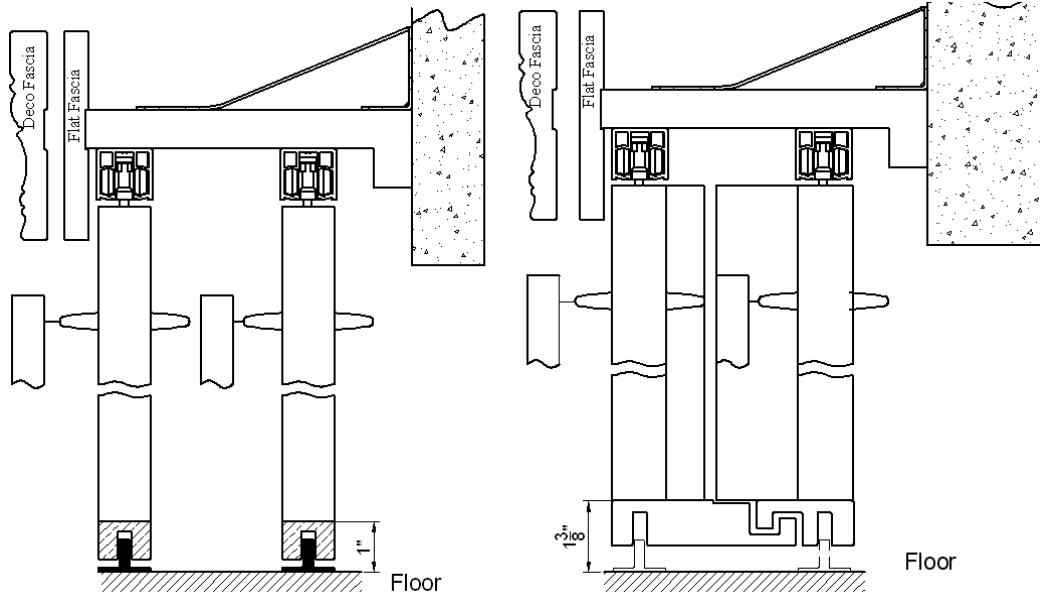
Semi-Inside Mount



Inside Mount

Woodlore® Shutters

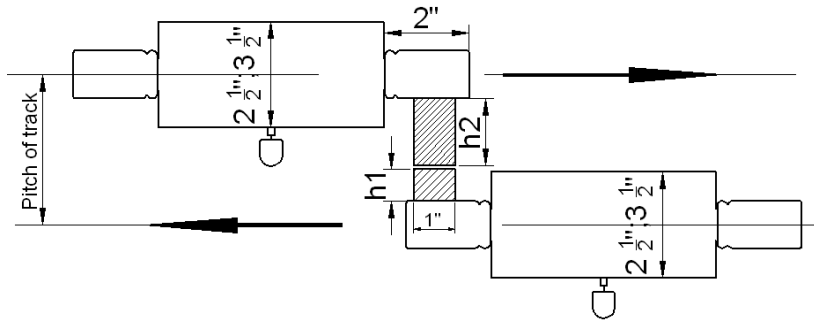
Open By Pass: has 2 kinds of bottom guide



Default Bottom Guide

Optional Interlocking Bottom Guide

Opened Bypass (Top View)



Pitch of track

Louver	U shape bottom guide		Interlocking bottom guide	
	Regular Tilt Rod	Invisible tilt	Regular Tilt Rod	Invisible tilt
2.5"	3 9/16"	2 3/4"	3 9/16"	3 9/16"
3.5"	4 1/2"	3 5/8"	4 1/2"	4 1/2"

Light block thickness for panel

Louver		U shape bottom guide		Interlocking bottom guide	
		Regular Tilt Rod	Invisible tilt	Regular Tilt Rod	Invisible tilt
2.5"	h1	3/4"	3/4"	3/4"	1 9/16"
	h2	1 9/16"	3/4"	1 9/16"	3/4"
3.5"	h1	1 3/16"	1 3/16"	1 3/16"	1 15/16"
	h2	1 15/16"	1 3/16"	1 15/16"	1 3/16"



2014 Track Shutters—Bypass

Track Shutters Framing Materials

Framing	Size			Pc(s)
L Shape Header	Header (Closed Bypass)	Header (Opened Bypass)	Supporting Strip	
(2 in 1)	$\frac{3}{4}$ " x $5\frac{1}{2}$ "* (Default for Outside Mount; Optional for Semi-Inside and Inside Mount)	$\frac{3}{4}$ " x $6\frac{1}{4}$ "* ($2\frac{1}{2}$ " Louver)	$\frac{3}{4}$ " x $\frac{3}{4}$ "	
Header with Supporting Strip	$\frac{3}{4}$ " x $4\frac{1}{2}$ "* (Default for Semi-Inside and Inside Mount; Optional for Outside Mount)	$\frac{3}{4}$ " x $7\frac{13}{16}$ "* ($3\frac{1}{2}$ " Louver)		
	Custom * \leq 8"	Custom * \leq 8"		
U Shape Side Frame	Side Frame (Closed Bypass)	Side Frame (Opened Bypass)	Supporting Strip	Side Fascia
(3 in 1)	$\frac{3}{4}$ " x $5\frac{7}{8}$ "* (Default for Outside Mount; Optional for Semi-Inside and Inside Mount)	$\frac{3}{4}$ " x $6\frac{5}{8}$ "* ($2\frac{1}{2}$ " Louver)	$\frac{3}{4}$ " x $\frac{3}{4}$ "	$\frac{3}{8}$ / $\frac{3}{8}$ " x $1\frac{1}{4}$ "
Side Frame with Supporting Strip & Side Fascia	$\frac{3}{4}$ " x $4\frac{7}{8}$ "* (Default for Semi-Inside and Inside Mount; Optional for Outside Mount)	$\frac{3}{4}$ " x $8\frac{1}{4}$ "* ($3\frac{1}{2}$ " Louver)		
	Custom * \leq 8"	Custom * \leq 8"		
Top Fascia (Plain/Deco)	4" (Semi-inside and Outside Mount)			1 pc
	$\frac{1}{2}$ " x $2\frac{1}{2}$ " (Inside Mount)			
Top Fascia Return	4" (Semi-inside and Outside Mount)			2 pcs
	N/A (Inside Mount)			

2014 Track Shutters—Bypass

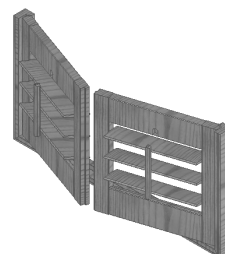
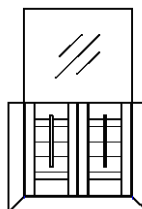
Hardware Box
Part
Wrench
Nylon Guide
$\frac{3}{4}$ " screws for Nylon Guide
Support L Bracket (based on the length of header)
$2 \frac{1}{2}$ " screws for support L bracket
$\frac{3}{4}$ " screws for support L bracket

Woodlore® Shutters

Special Options

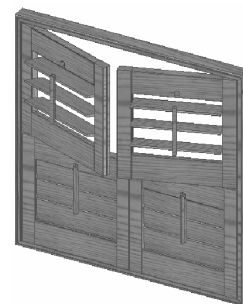
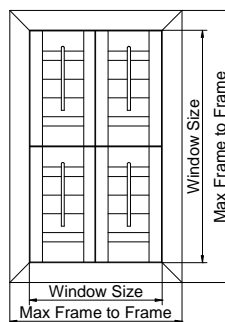
Café Shutters*

- The top of the panel requires a special finish. Please indicate “café shutter” when placing orders.
- The shutter does not come with recessed magnet on top.

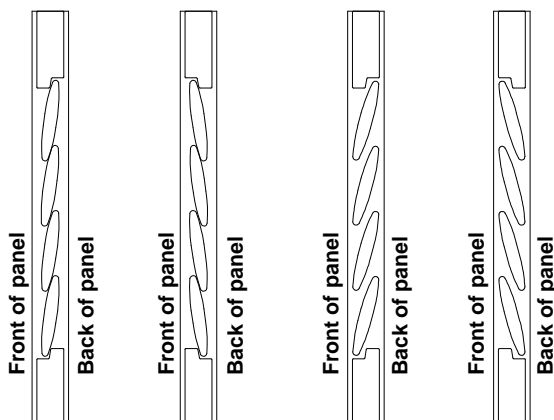
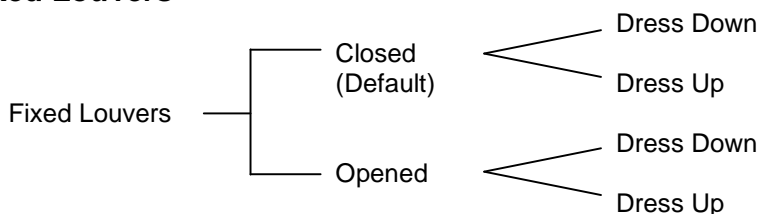


Double-Hung Shutters*

- For total number of panels, please include panels in both rows.
- Bifold panel is not available under this option.
- For panel configuration, please provide panel fold for one row.
- The default location for the division point is the center unless specified otherwise.
- Horizontal T Post* can be added for increased structural integrity.



Fixed Louvers

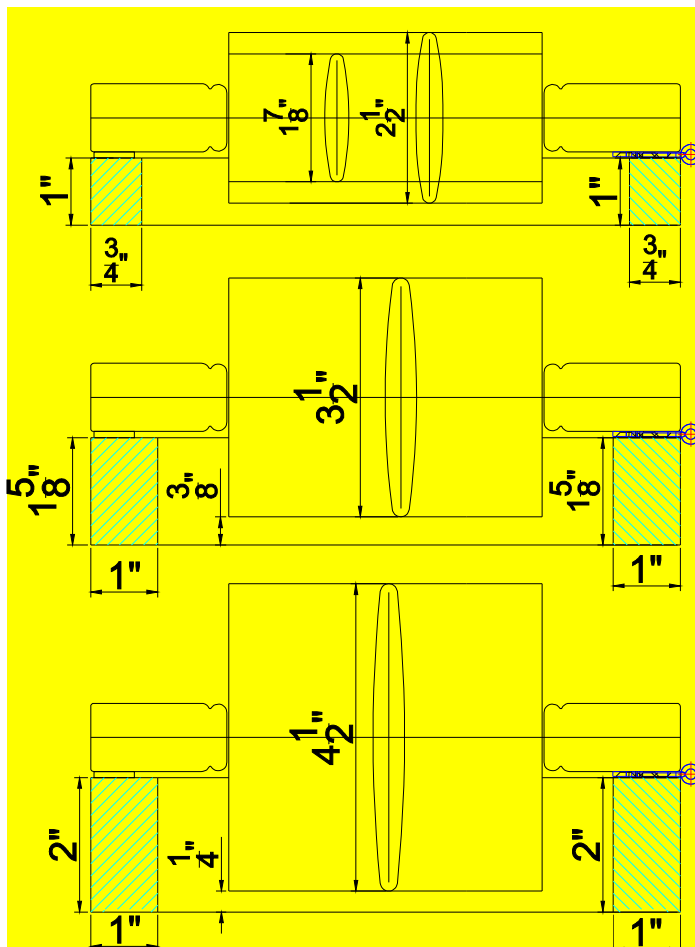


* Surcharge applies. Please see Options and Surcharges page for details.

Batten size for Type E/F

- The batten is placed behind the Type E/F panel to block light.

Louver size	Batten Width	Batten thickness
1 7/8" & 2 1/2"	3/4"	1"
3 1/2"	1"	1 5/8"
4 1/2"	1"	2"



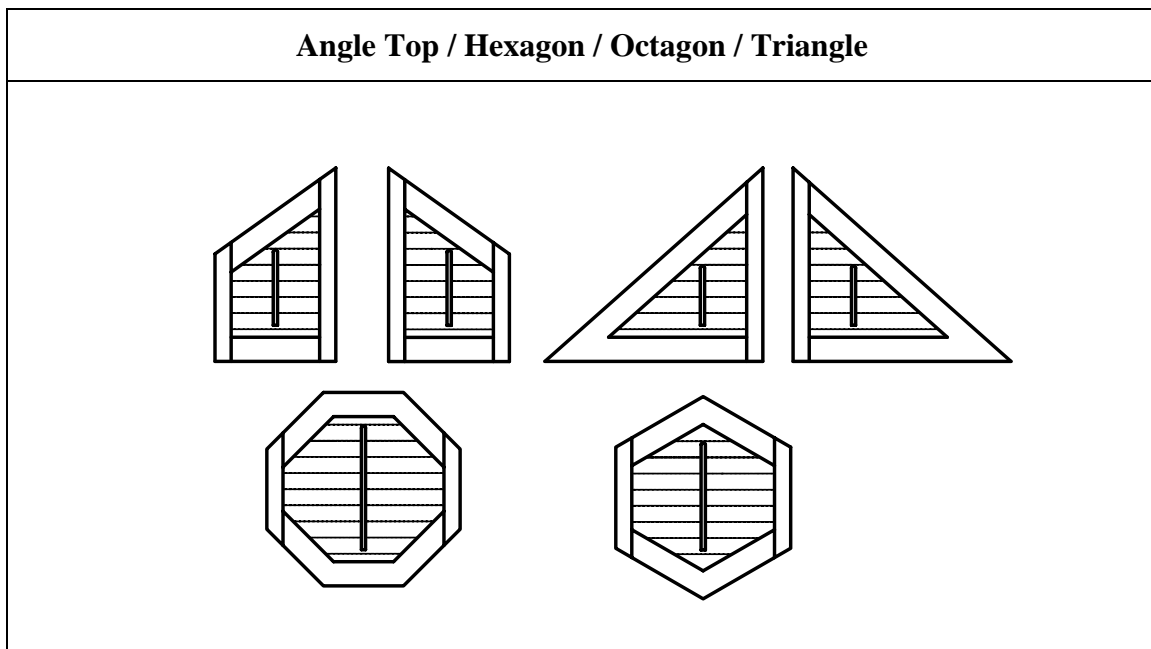
* Surcharge applies. Please see Options and Surcharges page for details.

Specialties

Specialty Shapes*

Templates are required if it is an imperfect specialty. Delivery time is 8 weeks from the order confirmation date for all specialty shutters. Please refer to Specialties and Template Requirement sections for details.

All frames for specialty shutters will be made as solid frames (not with an insert). However, if there is a regular shutter below a specialty shutter and the frames for both shutters are separated by a divider strip, then the top frame will be made as a solid frame but the bottom frames will be made as regular frames with inserts. If the top frames and the side frames are not separated by a divider strip, both side frames and the bottom frames will be made as solid frames.



* Surcharge applies. Please see Options and Surcharges page for details.

Pricing

1) By Max Frame-to-Frame Measurement:						
Regular Shutter						
Inside and Outside Mount	Width	x	Height	/ 144	x	\$/sq ft
Track Shutter**						
Inside	Width	x	Height	/ 144	x	\$/sq ft
Semi-Inside and Outside Mount	Width	x	(Height-1½")	/ 144	x	\$/sq ft
2) By Net Panel Measurement:						
	Width	x	Height	/ 144	x	\$/sq ft
3) By Window Size:						
2" Camber Deco Frame 2" Classic Deco Frame	4-sided	(Width+4")	x	(Height+4")	/ 144	x \$/sq ft
	3-sided with Deco Sill Frame	(Width+4")	x	(Height+5")	/ 144	x \$/sq ft
	3-sided with Designer Sill Cap	(Width+4")	x	(Height+8")	/ 144	x \$/sq ft
	3-sided with Sill Plate	(Width+4")	x	(Height+4")	/ 144	x \$/sq ft
	3-sided	(Width+4")	x	(Height+2")	/ 144	x \$/sq ft
	2-sided with Deco Sill Frame	(Width+4")	x	(Height+3")	/ 144	x \$/sq ft
	2-sided with Designer Sill Cap	(Width+4")	x	(Height+6")	/ 144	x \$/sq ft
	2-sided with Sill Plate	(Width+4")	x	(Height+2")	/ 144	x \$/sq ft
3" Ridge Deco Frame	4-sided	(Width+6")	x	(Height+6")	/ 144	x \$/sq ft
	3-sided with Deco Sill Frame	(Width+6")	x	(Height+6")	/ 144	x \$/sq ft
	3-sided with Designer Sill Cap	(Width+6")	x	(Height+9")	/ 144	x \$/sq ft
	3-sided with Sill Plate	(Width+6")	x	(Height+6")	/ 144	x \$/sq ft
	3-sided	(Width+6")	x	(Height+3")	/ 144	x \$/sq ft
	2-sided with Deco Sill Frame	(Width+6")	x	(Height+3")	/ 144	x \$/sq ft
	2-sided with Designer Sill Cap	(Width+6")	x	(Height+6")	/ 144	x \$/sq ft
	2-sided with Sill Plate	(Width+6")	x	(Height+3")	/ 144	x \$/sq ft
3" Crown Z Frame	4-sided	(Width+4 ½")	x	(Height+4½")	/ 144	x \$/sq ft
	3-sided with Deco Sill Frame	(Width+4 ½")	x	(Height+5¼")	/ 144	x \$/sq ft
	3-sided with Designer Sill Cap	(Width+4 ½")	x	(Height+8¼")	/ 144	x \$/sq ft
	3-sided with Sill Plate	(Width+4 ½")	x	(Height+4½")	/ 144	x \$/sq ft
	3-sided	(Width+4 ½")	x	(Height+2¼")	/ 144	x \$/sq ft
	2-sided with Deco Sill Frame	(Width+4 ½")	x	(Height+3")	/ 144	x \$/sq ft
	2-sided with Designer Sill Cap	(Width+4 ½")	x	(Height+6")	/ 144	x \$/sq ft
	2-sided with Sill Plate	(Width+4 ½")	x	(Height+2¼")	/ 144	x \$/sq ft
2-sided	(Width+4 ½")	x	(Height)	/ 144	x \$/sq ft	

Pricing

2" Bel Air Z Frame	4-sided	(Width+2 ½")	x	(Height+2½")	/ 144	x	\$/sq ft
	3-sided with Deco Sill Frame	(Width+2 ½")	x	(Height+4¼")	/ 144	x	\$/sq ft
	3-sided with Designer Sill Cap	(Width+2 ½")	x	(Height+7¼")	/ 144	x	\$/sq ft
	3-sided with Sill Plate	(Width+2 ½")	x	(Height+2½")	/ 144	x	\$/sq ft
	3-sided	(Width+2 ½")	x	(Height+1¼")	/ 144	x	\$/sq ft
	2-sided with Deco Sill Frame	(Width+2 ½")	x	(Height+3")	/ 144	x	\$/sq ft
	2-sided with Designer Sill Cap	(Width+2 ½")	x	(Height+6")	/ 144	x	\$/sq ft
	2-sided with Sill Plate	(Width+2 ½")	x	(Height+1¼")	/ 144	x	\$/sq ft
	2-sided	(Width+2 ½")	x	(Height)	/ 144	x	\$/sq ft
1 ½ " Bullnose Z Frame/ 1 ¼ " Beaded Z Frame/ Bullnose Tilt Out Z Frame	4-sided	(Width+2")	x	(Height+2")	/ 144	x	\$/sq ft
	3-sided with Deco Sill Frame	(Width+2")	x	(Height+4")	/ 144	x	\$/sq ft
	3-sided with Designer Sill Cap	(Width+2")	x	(Height+7")	/ 144	x	\$/sq ft
	3-sided with Sill Plate (N/A w/ Tilt out Z)	(Width+2")	x	(Height+2")	/ 144	x	\$/sq ft
	3-sided	(Width+2")	x	(Height+1")	/ 144	x	\$/sq ft
	2-sided with Deco Sill Frame	(Width+2")	x	(Height+3")	/ 144	x	\$/sq ft
	2-sided with Designer Sill Cap	(Width+2")	x	(Height+6")	/ 144	x	\$/sq ft
	2-sided with Sill Plate (N/A w/ Tilt out Z)	(Width+2")	x	(Height+1")	/ 144	x	\$/sq ft
	2-sided	(Width+2")	x	(Height)	/ 144	x	\$/sq ft
Vintage Hang Strip	Inside	Width	x	Height	/ 144	x	\$/sq ft
	Outside 4-sided	(Width+3")	x	(Height+3")	/ 144	x	\$/sq ft
	Outside 3-sided with Deco Sill Frame	(Width+3")	x	(Height+4½")	/ 144	x	\$/sq ft
	Outside 3-sided with Designer Sill Cap	(Width+3")	x	(Height+7½")	/ 144	x	\$/sq ft
	Outside 3-sided	(Width+3")	x	(Height+1½")	/ 144	x	\$/sq ft
	Outside 2-sided with Deco Sill Frame	(Width+3")	x	(Height+3")	/ 144	x	\$/sq ft
	Outside 2-sided with Designer Sill Cap	(Width+3")	x	(Height+6")	/ 144	x	\$/sq ft
	Outside 2-sided	(Width+3")	x	(Height)	/ 144	x	\$/sq ft
Vintage L Frame/ Beaded L Frame/ Bullnose L Frame/	Inside (max frame to frame measurement only)	Width	x	Height	/ 144	x	\$/sq ft
	Outside 4-sided	(Width+3")	x	(Height+3")	/ 144	x	\$/sq ft
	Outside 3-sided with Deco Sill Frame	(Width+3")	x	(Height+4½")	/ 144	x	\$/sq ft
	Outside 3-sided with Designer Sill Cap	(Width+3")	x	(Height+7½")	/ 144	x	\$/sq ft
	Outside 3-sided	(Width+3")	x	(Height+1½")	/ 144	x	\$/sq ft
	Outside 2-sided with Deco Sill Frame	(Width+3")	x	(Height+3")	/ 144	x	\$/sq ft
	Outside 2-sided with Designer Sill Cap	(Width+3")	x	(Height+6")	/ 144	x	\$/sq ft
	Outside 2-sided	(Width+3")	x	(Height)	/ 144	x	\$/sq ft
Track Shutter**							
Inside and Semi-Inside Mount	Width	x	Height	/144	x	\$/sq ft	
Outside Mount	(Width+3")	x	(Height+3")	/144	x	\$/sq ft	

Options and Surcharges

Option	Surcharge	Remark
1 $\frac{7}{8}$ " Louver	10%	
Beaded L Frame with $\frac{1}{4}$ " Thick Light Block	No surcharge	
L Frame with $\frac{1}{2}$ " & 1" Buildout	5%	
Deco Frame with $\frac{1}{2}$ ", 1" & 1 $\frac{1}{2}$ " Extension	5%	
Custom extension	10%	Up to 2" for L Frames, Deco Frames and Hang Strip (OM) Up to 1" for Z frames (n/a for Tilt Out Z frame)
T Post	No surcharge	
T Post Extension	5%	Up to 2"
90 degree Corner Post & 135 degree Bay Post	No surcharge	
Custom Notch Out	10%	
Double Hung / Horizontal 1 $\frac{3}{4}$ " T Post	10%	Bifold configuration not available
Custom Angle/Depth Bay Post	5%	Up to 2" for custom depth
Extra Light Block	Charge per linear ft	Please contact your Customer Account Specialist for details
Scribe Trim	Charge per linear ft	Please contact your Customer Account Specialist for details
Center Tilt Rod	No surcharge	
Offset Tilt Rod	5%	
InvisibleTilt™	10%	Panels over 48" will have a split InvisibleTilt tilt rod. Not available in 1 $\frac{7}{8}$ " louvers.
Café Shutters	30%	Surcharge applies when the frame exceeds 5" beyond the top of the panel.
Fixed Louvers	No surcharge	Please indicate fixed position: up/down and open/close
Track (Bi Fold / Bypass)	40%	
Stainless Steel Hinges	5%	
Specialty Shapes	See specialty surcharge	
Flame Retardant Finish	10%	

Woodlore® Shutters

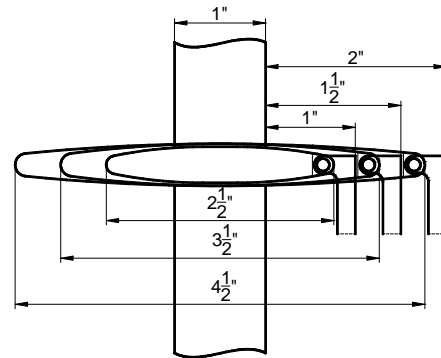
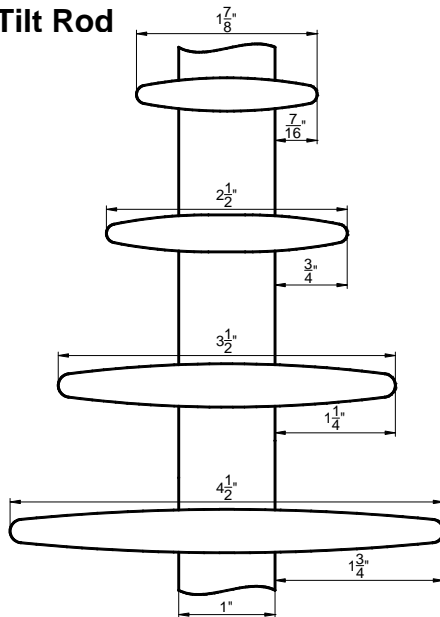
Appendix

Color Coordination Chart

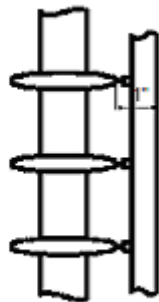
NO	Color ID	Color Name	Default Hinge Colour	Default Track Colour
1	001	Pure White	White	White
2	003	Silk White		
3	004	Bright White		
4	006	Pearl	Pearl	
5	009	Creamy	Bisque	
6	013	Bisque		

Louver Depth Clearance

Standard Tilt Rod



Offset Tilt Rod

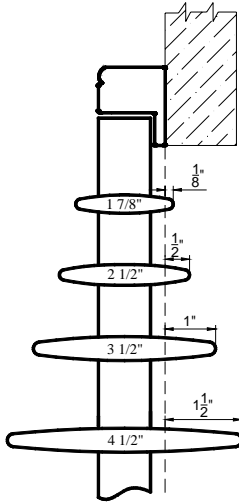


Offset tilt rod projects 1" from the edge of the louvers.

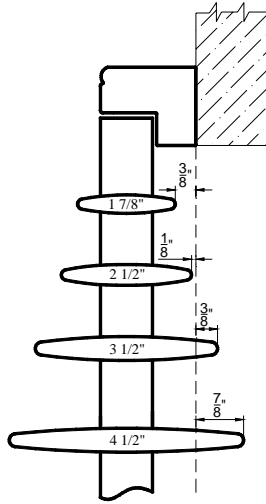
Woodlore® Shutters

Louver Depth Clearance For Specific Frames

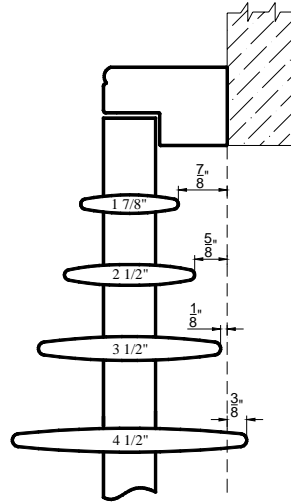
- Louver Depth Clearance for
- Offset tilt rod, add 1"



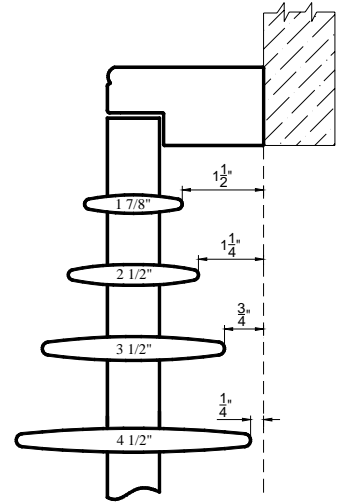
L Frame
w/ 13/64 " Light Block



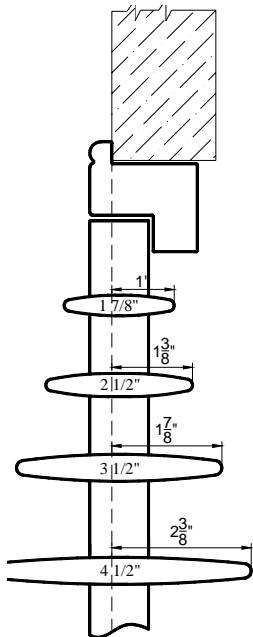
L Frame



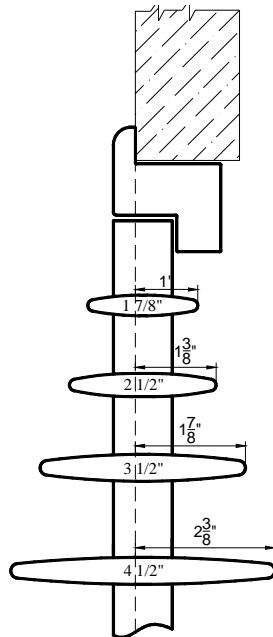
L Frame
w/ 1/2 " Buildout



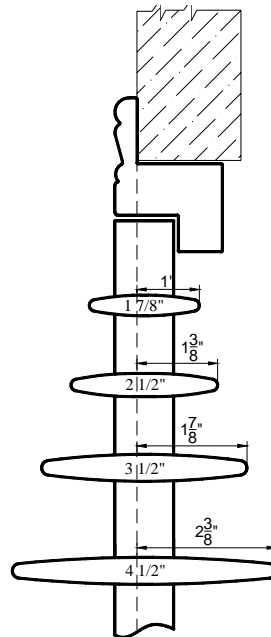
L Frame
w/ 1" Buildout



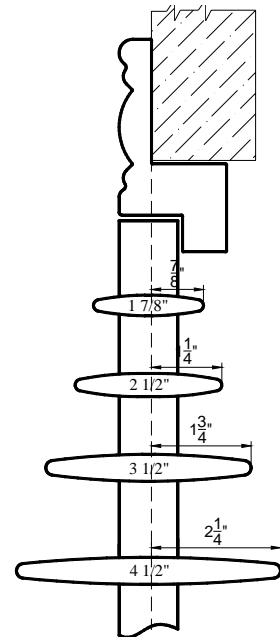
1 1/4 " Beaded Z Frame



1 1/2" Bullnose Z Frame



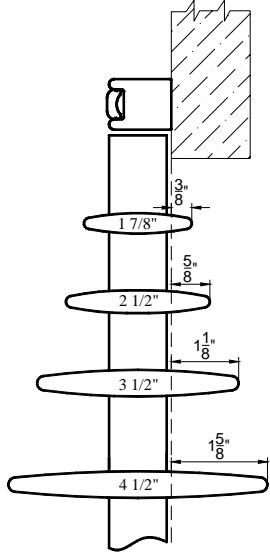
2" Bel Air Z Frame



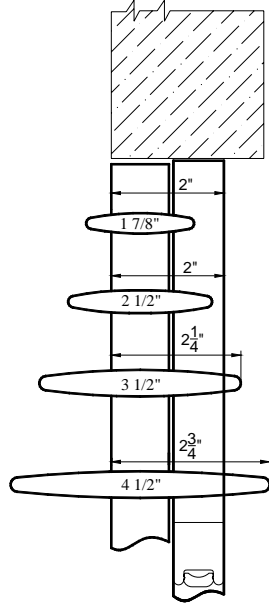
3" Crown Z Frame

Woodlore® Shutters

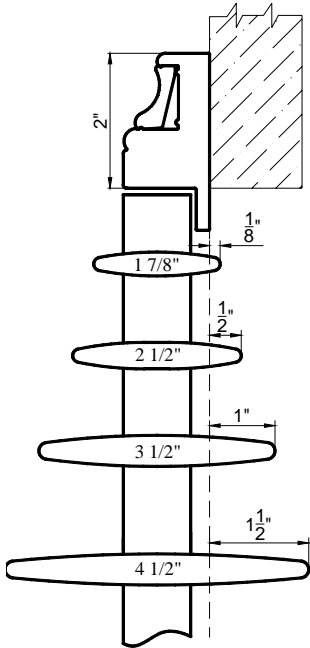
Louver Depth Clearance For Specific Frames



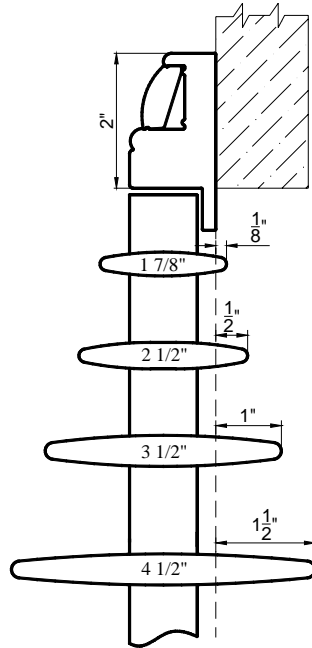
Hang Strip
(beside the panel)



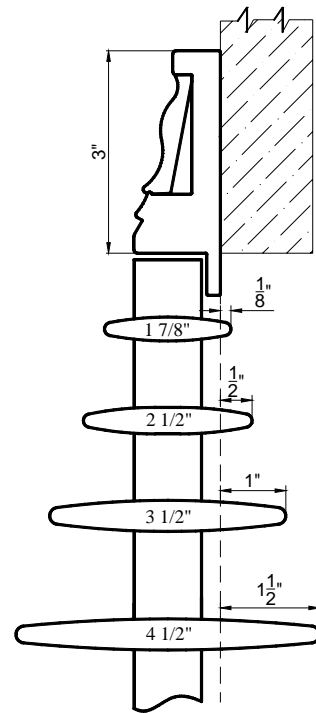
Hang Strip
(behind the panel)



2" Classic Deco Frame



2" Camber Deco Frame



3" Ridge Deco Frame